

Established in 1995

KITSEN[®]

SCAFFOLDING



www.kitsen.com

KITSEN[®]

KITSEN Formwork and Scaffolding Technology Co., Ltd.

Address: Fengwei Shan, Beiguan Town, Yangjiang, Guangdong, China.

Postcode: 529932

Tel: 86-662-6697499, 86-662-6698891

E-mail: sales@kitsen.com, info@kitsen.com

Website: www.kitsen.com

Branch Company: Topsafe Formwork and Scaffolding Technology (Cambodia) Co., Ltd.

Address: #12, St 5J, Prek Leap Village, Sangkat Prek Leap, Khan Chroy Chongvar, Phnom Penh, Cambodia

Branch Company: KITSEN Aluminium Scaffold (Malaysia) Sdn Bhd.

Address: No. 48, Jalan Kapar 27/89, Seksyen 27 Megah Industrial Park, Taman Alam Megah 40400 Shah Alam, Selangor Darul Ehsan Malaysia

Branch Company: K.F.S Formwork and Scaffolding Inc.

Address: 9F Tower 3, WeWork, Uptown Bonifacio, 36th Street Corner 11th Avenue, Fort Bonifacio, Taguig City, 1634, Philippines.

Branch Company: KITSEN Formwork & Scaffolding LLC.

Address: Prime Business Centre Tower A, Office 1703, Jumeirah Village Circle, Dubai, UAE.



Safety | High Efficiency | Economy | Environment Friendly

CONTENTS

CONTENTS



▶ **KITSEN 1st Factory** (80,000m² Area)



▶ **KITSEN 2nd Factory** (100,000m² Area)



▶ **KITSEN 3rd Factory** (100,000m² Area)

- ◆ WHO WE ARE 01
- ◆ ISO/ PRODUCT CERTIFICATION 02
- ◆ ALUMINIUM TOWER SCAFFOLD 03
- ◆ RINGLOCK SHOR 13
- ◆ KWIKSTAGE SYSTEM 23
- ◆ SHORING FRAME 25
- ◆ MINI ROLLING SCAFFOLD 31
- ◆ EXHIBITION AND PROJECT 37

WHO WE ARE

Founded in 1995 by Mr. David Huang, KITSEN Technologies Co., Ltd. is committed to R&D and production of formwork and scaffold products and technologies. KITSEN always focuses on providing high performance products and engineering services to its value clients all over the world.

KITSEN owns 3 factories with total area of 280,000 square meters and 1200 reliable workers, including 200 engineers, 30 quality inspectors, and 60 sales to guarantee qualified production and professional service.

Annual production capacity can reach 1,000,000 square meters aluminium formwork and 1200 containers for other formwork and scaffoldings.

WHAT WE DO

KITSEN covers rich product range of wall and column formwork, slab formwork and different scaffolds to meet clients' need. Key products include:

- (1) Aluminium Formwork
- (2) Self-climbing Platform System
- (3) K100 Wall & Column Formwork System
- (4) Fastform Slab Formwork
- (5) 3D Deck
- (6) Aluminium Tower Scaffold
- (7) Mobile Folding Scaffold
- (8) Ringlock Scaffold
- (9) Shoring Prop
- (10) OEM & ODM Service

WHERE WE GO

KITSEN has founded oversea branch companies and marketing offices in Cambodia, Indonesia, Malaysia, the Philippines, and Dubai, etc. With local experienced and professional staffs, KITSEN provides reliable products and in-time construction services to local clients.

Meanwhile, KITSEN has established long-term business cooperative relationship with world's leading brands in the market. With more than 26 years development, KITSEN has successfully earned high reputation based on hundreds of successful projects in more than 80 countries around the world.

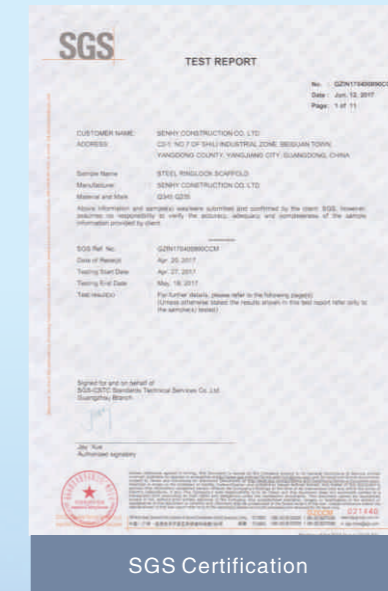
OUR VALUE

To build up win-win cooperation with client and provide client-oriented service.

OUR MISSION

To provide integrated construction solutions with intelligent and environmental formwork and scaffolding systems to help our customers build safe, fast and smart in cost-saving construction method. Herein called "1+N" Overall Solution.

CERTIFICATES



All KITSEN formwork and scaffolding are covered by CNY10,000,000.00 Product Liability Insurance.





Aluminium Tower Scaffold is manufactured with Robot Welding technology to offer you the utmost safety for building maintenance cleaning and decoration works at different heights.



Adjustable Wheel



Adjustable Stabilizer



Rigid Brace Claw



Robot Welding



FEATURES & ADVANTAGES

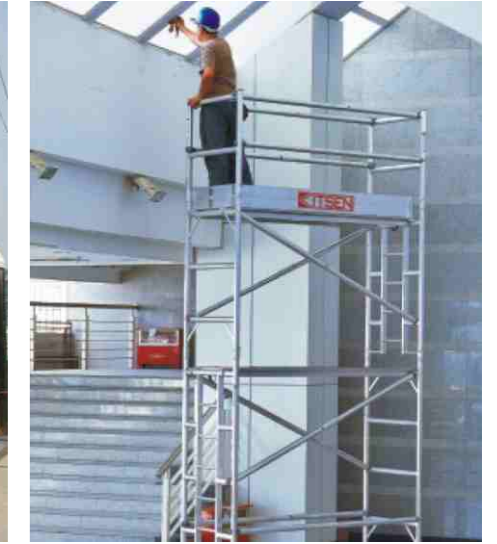
- ✓ Manufactured and tested in compliance with BS EN1004:2004
- ✓ High strength aviation aluminium structure for better durability and lighter weight
- ✓ Adopt the trap build method
- ✓ Ribbed rung tubing for increased grip
- ✓ Slip resistant platform equipped with self-closing function and wind-lock clips.
- ✓ Spigot connecting mechanism for easy assembly and dismantling
- ✓ Rigid brace claw design
- ✓ Three ladder designs: Straight Ladders, Integral Ladders and Clip-in Ladders to suit your special needs
- ✓ Various tower widths available: 750mm, 850mm, 1250mm, 1350mm, 1450mm
- ✓ Flexible combination of different components for various project purposes
- ✓ Safe working load of 272kg per platform level up to a maximum of 1000kg per tower (including self weight)



Applicable for exterior refurbishing



Special tower for yacht maintenance



Applicable for interior refurbishing



Adjustable for unlevel purpose



Optionally assorted aluminium Tower



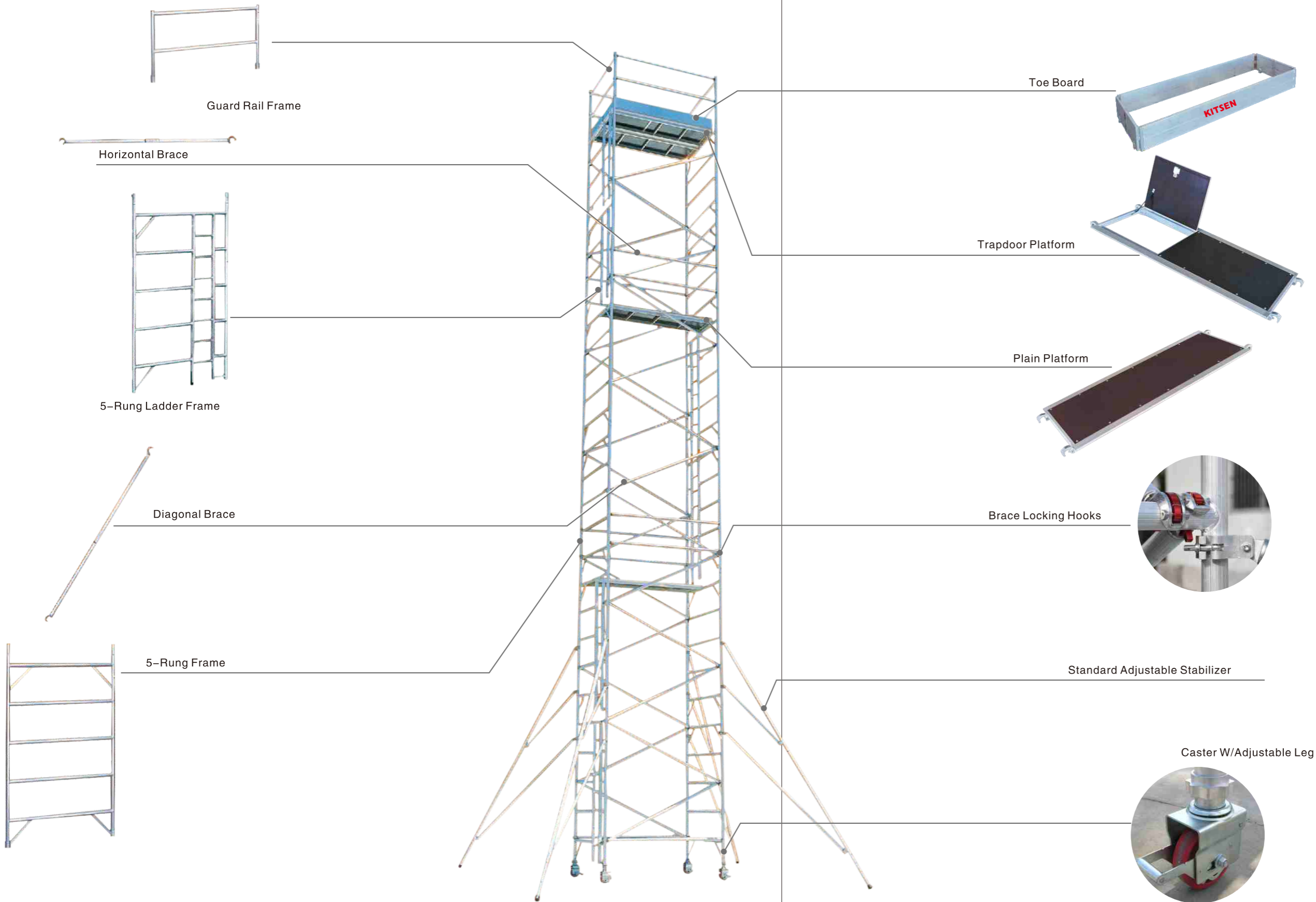
Optionally assorted aluminium Tower



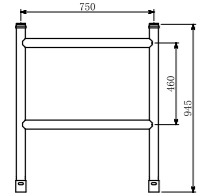
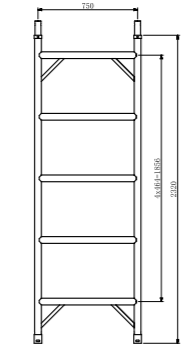
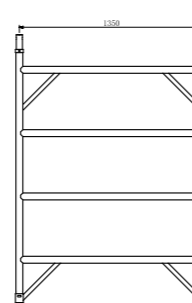
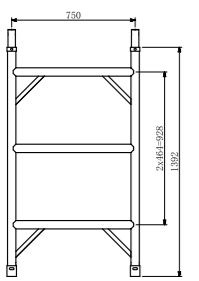
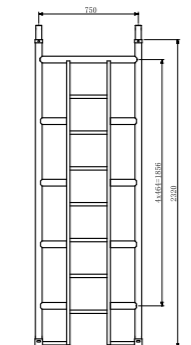
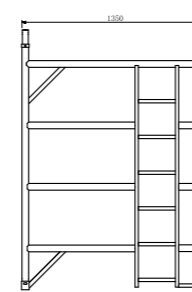
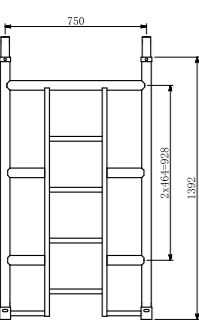
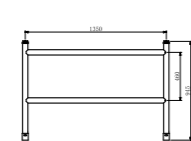
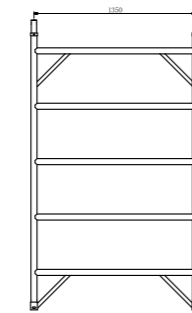
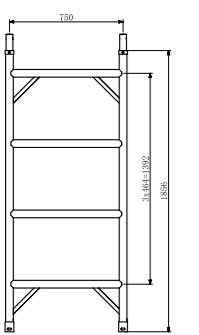
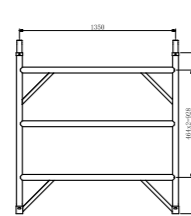
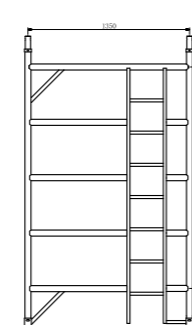
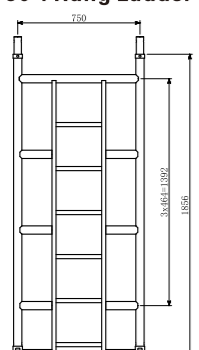
All the towers can be connected together for multi-functional purpose



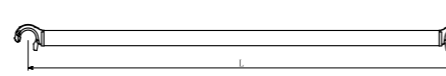
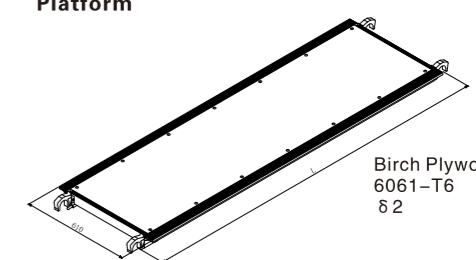
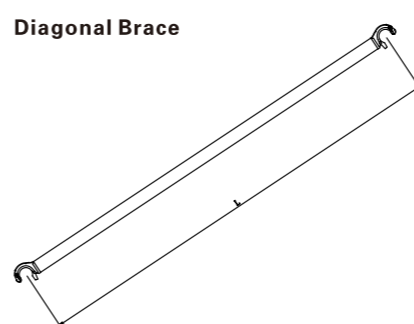
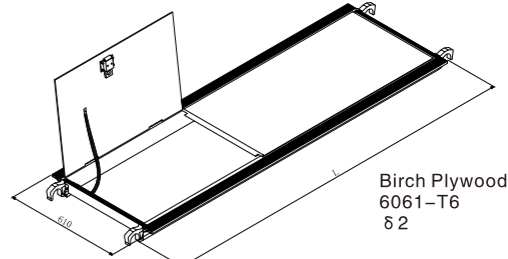
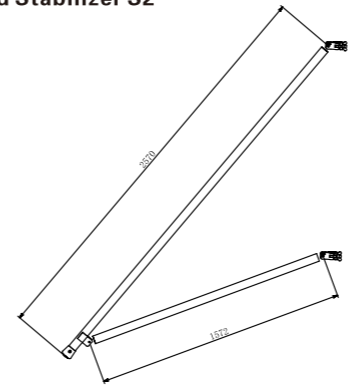
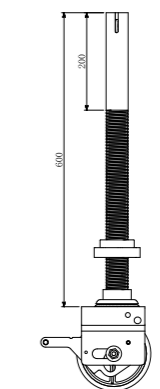
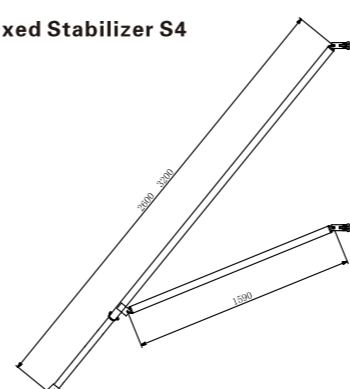
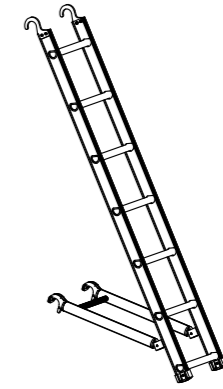
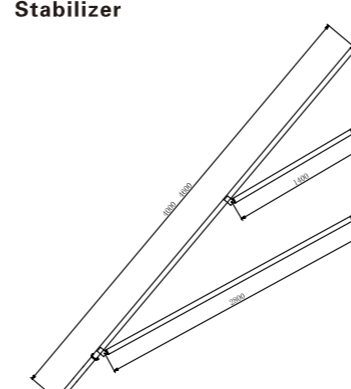
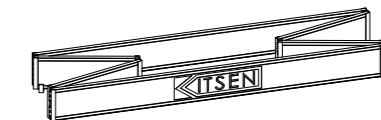
Applied for different function



ALUMINIUM TOWER SCAFFOLD BASIC COMPONENTS

	[kg]		[kg]		[kg]
750 Guardrail Frame 	2.87	750 5 Rung Frame 	7.39	1350 4 Rung Frame 	8.21
750 3 Rung Frame 	4.78	750 5 Rung Ladder Frame 	10.26	1350 4 Rung Ladder Frame 	10.38
750 3 Rung Ladder Frame 	6.44	1350 Guardrail Frame 	3.82	1350 5 Rung Frame 	9.99
750 4 Rung Frame 	6.08	1350 3 Rung Frame 	6.43	1350 5 Rung Ladder Frame 	12.69
750 4 Rung Ladder Frame 	8.40				

ALUMINIUM TOWER SCAFFOLD BASIC COMPONENTS

	[kg]		[kg]
Horizontal Brace 	1400mm 2000mm	1.67 2.12	Platform 
Diagonal Brace 	1680mm 2205mm	1.87 2.29	Trapdoor platform 
Fixed Stabilizer S2 	6061-T6 φ 50.8 δ 2	5.31	Caster w/adjustable leg 
Fixed Stabilizer S4 	6061-T6 φ 50.8 δ 2	6.64	Clip-in Ladder 
Stabilizer 	6061-T6 φ 50.8 δ 2	12.00	Toe Board 

ALUMINIUM TOWER SCAFFOLD SPECIFICATION



Aluminium Tower Series 100

Length: 2m
Width: 1.35m

Series	Platform Height(m)	Tower Height(m)
WPK101	2.45	3.45
WPK102	2.90	3.90
WPK103	3.37	4.37
WPK104	3.84	4.84
WPK105	4.30	5.30
WPK106	4.77	5.77
WPK107	5.23	6.23
WPK108	5.70	6.70
WPK109	6.16	7.16
WPK110	6.62	7.62
WPK111	7.00	8.00
WPK112	7.55	8.55

Series	Platform Height(m)	Tower Height(m)
WPK113	8.00	9.00
WPK114	8.48	9.48
WPK115	8.95	9.95
WPK116	9.40	10.40
WPK117	9.87	10.87
WPK118	10.33	11.33
WPK119	10.80	11.80
WPK120	11.26	12.26
WPK121	11.73	12.73
WPK122	12.19	13.19
WPK123	12.65	13.65
WPK124	13.10	14.10



Aluminium Tower Series 200

Length: 2m
Width: 0.75m

Series	Platform Height(m)	Tower Height(m)
WPK201	2.45	3.45
WPK202	2.90	3.90
WPK203	3.37	4.37
WPK204	3.84	4.84
WPK205	4.30	5.30
WPK206	4.77	5.77
WPK207	5.23	6.23
WPK208	5.70	6.70
WPK209	6.16	7.16
WPK210	6.62	7.62
WPK211	7.00	8.00
WPK212	7.55	8.55

Series	Platform Height(m)	Tower Height(m)
WPK213	8.00	9.00
WPK214	8.48	9.48
WPK215	8.95	9.95
WPK216	9.40	10.40
WPK217	9.87	10.87
WPK218	10.33	11.33
WPK219	10.80	11.80
WPK220	11.26	12.26
WPK221	11.73	12.73
WPK222	12.19	13.19
WPK223	12.65	13.65
WPK224	13.10	14.10

ALUMINIUM TOWER SCAFFOLD SPECIFICATION



Aluminium Tower Series 500

Length: 2m
Width: 1.35m

Series	Platform Height(m)	Tower Height(m)
WPK500	1.98	2.98
WPK501	2.45	3.45
WPK502	2.90	3.90
WPK503	3.37	4.37
WPK504	3.84	4.84
WPK505	4.30	5.30
WPK506	4.77	5.77
WPK507	5.23	6.23
WPK508	5.70	6.70
WPK509	6.16	7.16
WPK510	6.62	7.62
WPK511	7.00	8.00
WPK512	7.55	8.55

Series	Platform Height(m)	Tower Height(m)
WPK513	8.00	9.00
WPK514	8.48	9.48
WPK515	8.95	9.95
WPK516	9.40	10.40
WPK517	9.87	10.87
WPK518	10.33	11.33
WPK519	10.80	11.80
WPK520	11.26	12.26
WPK521	11.73	12.73
WPK522	12.19	13.19
WPK523	12.65	13.65
WPK524	13.10	14.10



Aluminium Tower Series 600

Length: 2m
Width: 0.75m

Series	Platform Height(m)	Tower Height(m)
WPK600	1.98	2.98
WPK601	2.45	3.45
WPK602	2.90	3.90
WPK603	3.37	4.37
WPK604	3.84	4.84
WPK605	4.30	5.30
WPK606	4.77	5.77
WPK607	5.23	6.23
WPK608	5.70	6.70
WPK609	6.16	7.16
WPK610	6.62	7.62
WPK611	7.00	8.00
WPK612	7.55	8.55

Series	Platform Height(m)	Tower Height(m)
WPK613	8.00	9.00
WPK614	8.48	9.48
WPK615	8.95	9.95
WPK616	9.40	10.40
WPK617	9.87	10.87
WPK618	10.33	11.33
WPK619	10.80	11.80
WPK620	11.26	12.26
WPK621	11.73	12.73
WPK622	12.19	13.19
WPK623	12.65	13.65
WPK624	13.10	14.10



MT-WSL43

4.3m Straight-ladder Aluminium Tower

Material: 6061-T6

Specification: (LxWxH)2495mm x 1250mm x 4300mm

Loadage: 20'GP/40'GP/40'HQ 19/40/45 Sets



MT-WSL48

4.8m Straight-ladder Aluminium Tower

Material: 6061-T6

Specification: (LxWxH)2495mm x 1250mm x 4800mm

Loadage: 20'GP/40'GP/40'HQ 19/40/45 Sets



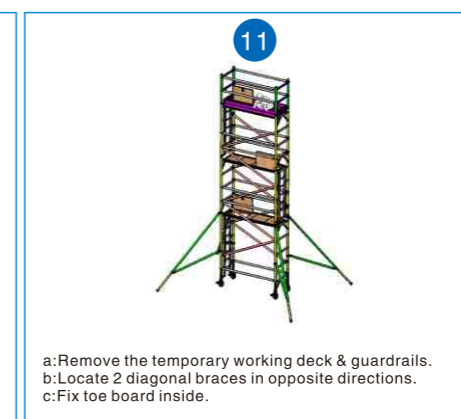
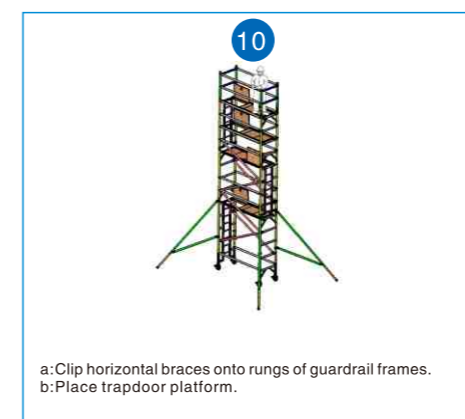
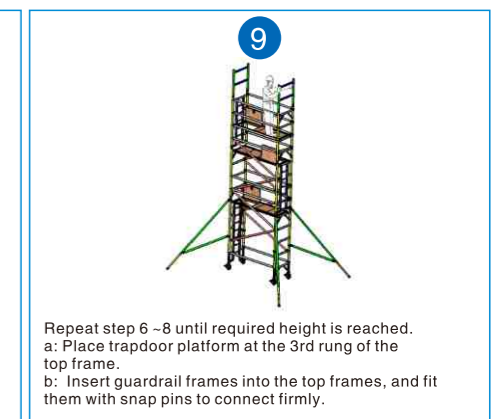
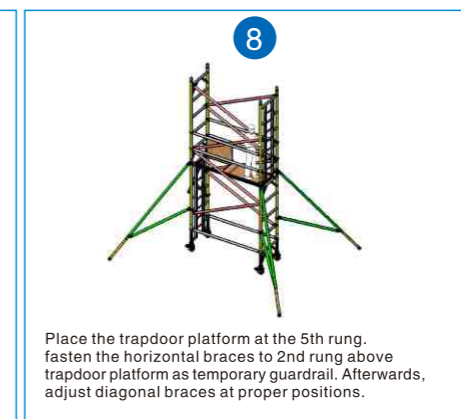
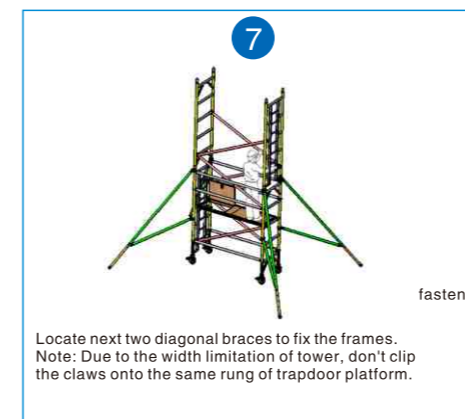
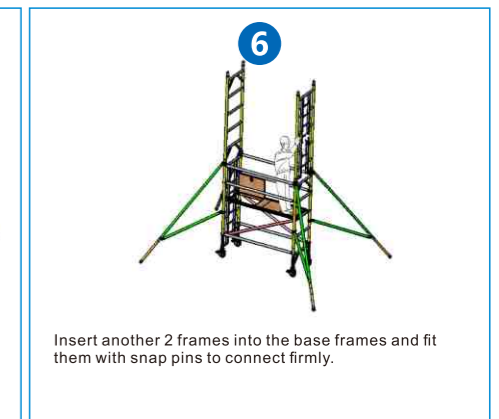
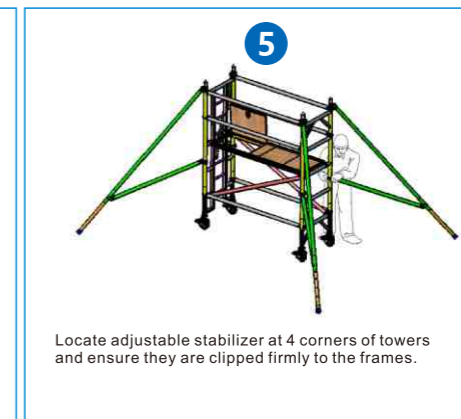
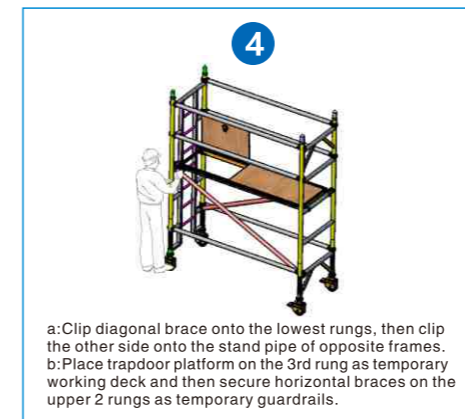
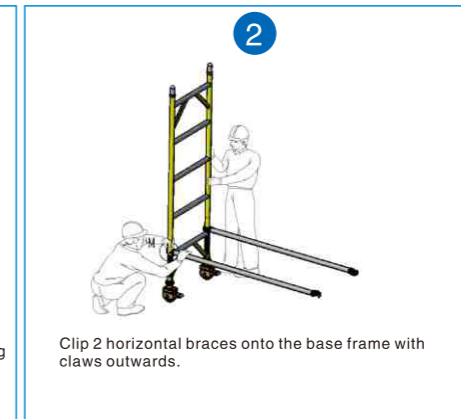
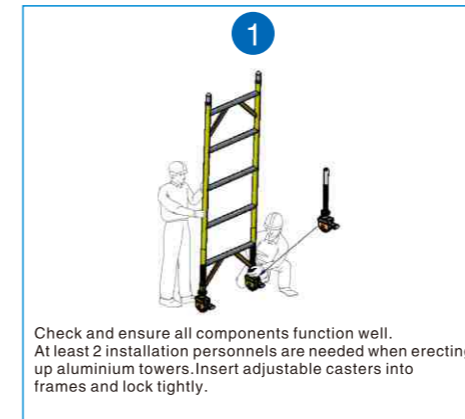
MT-WSL60

6.0m Straight-ladder Aluminium Tower

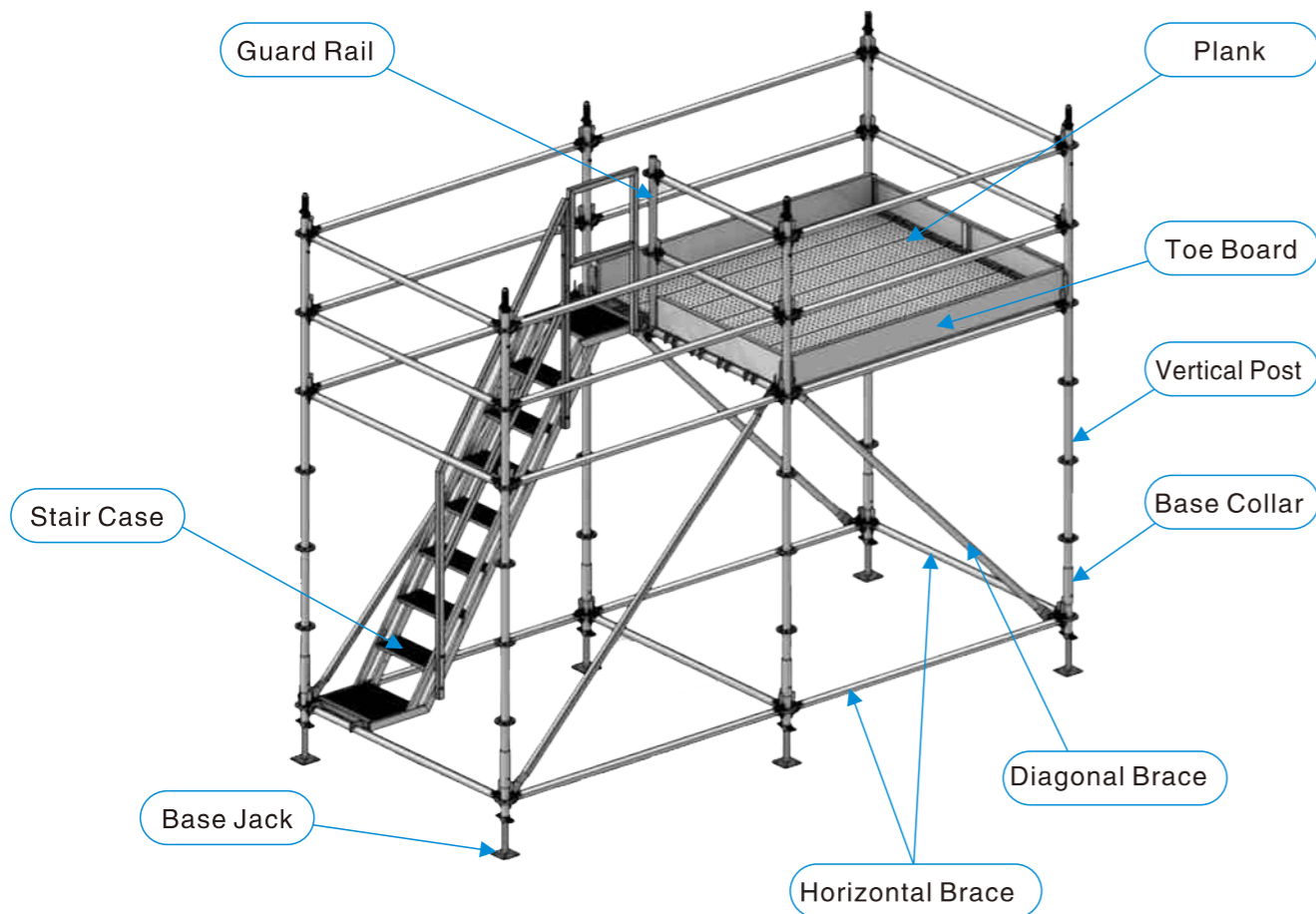
Material: 6061-T6

Specification: (LxWxH)2495mm x 1250mm x 6000mm

Loadage: 20'GP/40'GP/40'HQ 19/40/45 Sets



Caution!: Working on platform without guardrail is prohibited.

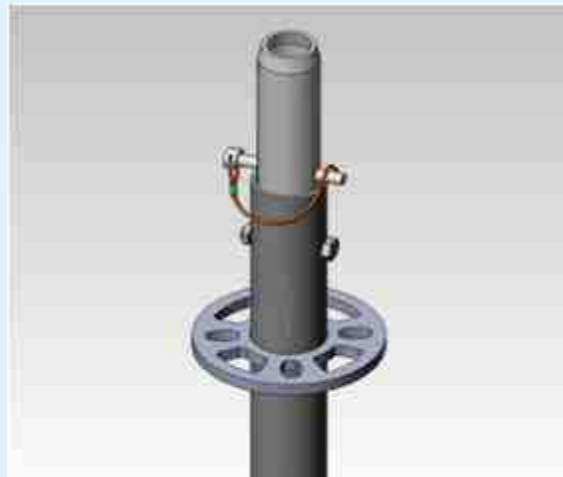


STEEL RINGLOCK

Ringlock scaffold is versatile high-strength galvanized steel modular scaffold which is built for increased strength, versatility and usability.



Connection



Post connected with pin

FEATURES & ADVANTAGES:

High Strength and Safety

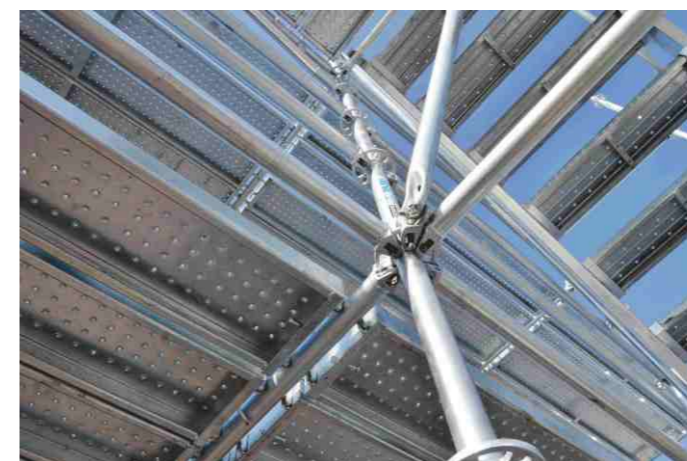
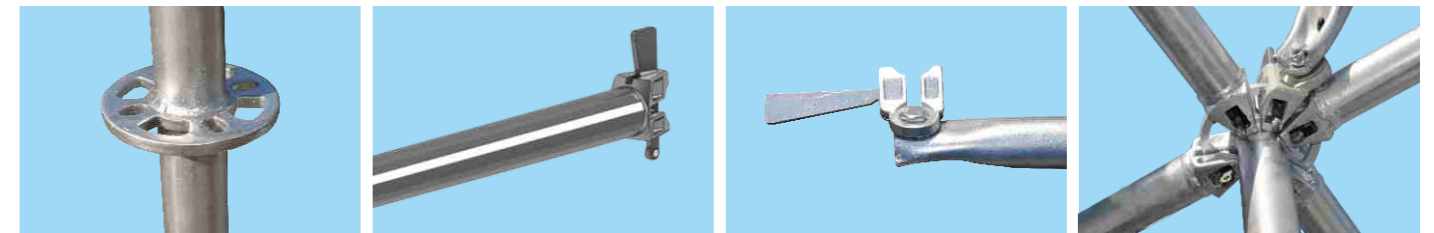
✓ Steel Ringlock Scaffold are built for high strength and safety, consisting of galvanized high-strength steel modular components.

Various sizes for different jobs requirement

✓ Horizontals, diagonals and verticals are available in a variety of length, ranging from 2ft to 10ft, which allows the system to be built in any configuration to suit different job requirement.

Versatility and Applications

✓ Steel Ringlock Scaffold is a versatile scaffold which is applicable for all types of access and support structure such as building construction, external and internal wall maintenance, subways, tunnels, bridge.

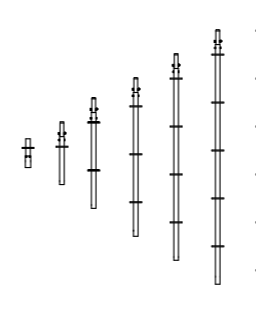
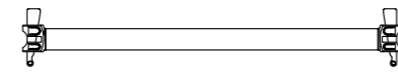

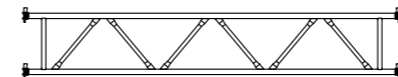




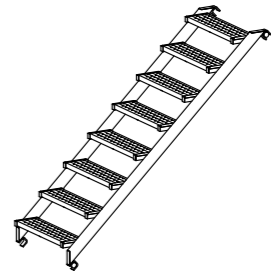
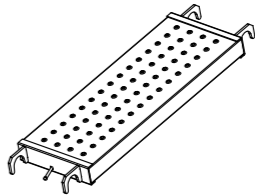
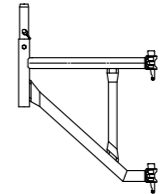
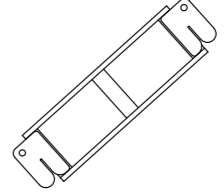
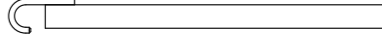
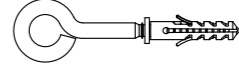
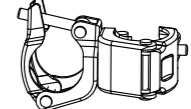
STEEL RINGLOCK Φ 48 PROJECTS



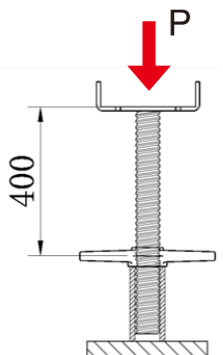
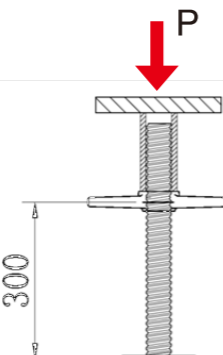
OID TANK PROJECT IN ISRAEL


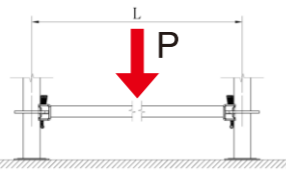
STEEL RINGLOCK Φ 48 BASIC COMPONENTS

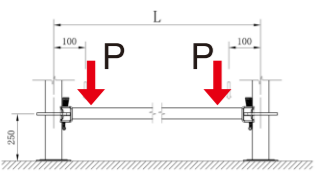
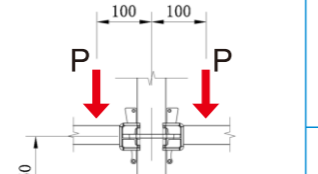
		[kg]
Standard Post 	L=3000mm	14.43
	L=2500mm	12.15
	L=2000mm	9.87
	L=1500mm	7.60
	L=1000mm	5.33
	L=500mm	3.05
	L=300mm	1.82
Horizontal Brace 	L=3048mm	11.26
	L=2438mm	9.10
	L=2133mm	8.02
	L=1829mm	6.94
	L=1524mm	5.86
	L=1219mm	4.78
	L=914mm	3.70
L=610mm	2.63	
Double Ledger 	L=3048mm	19.88
	L=2438mm	15.70
	L=2133mm	13.34
	L=1829mm	11.53
Truss 	L=6096mm	56.27
	L=4876.8mm	45.85
Diagonal Brace 	3048 x 2000mm	13.89
	3438 x 2000mm	12.19
	2133 x 2000mm	11.40
	1829 x 2000mm	10.68
	1524 x 2000mm	10.02
	1219 x 2000mm	9.46
	914 x 2000mm	9.02
Screw Jack	600mm	3.18
		

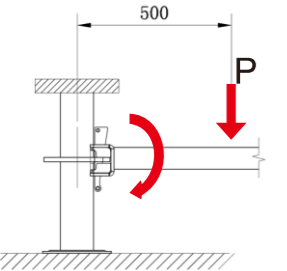
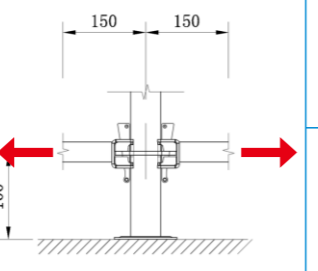
		[kg]
Sectional Ladder	7' x 2000mm	89.21
		
Steel Plank 	3048 x 240mm	19.72
	3438 x 240mm	15.96
	2133 x 240mm	14.18
	1829 x 240mm	12.20
	1524 x 240mm	10.42
	1219 x 240mm	8.64
	914 x 240mm	6.86
	732 x 240mm	5.80
610 x 240mm	5.09	
Bracket 	305mm	4.57
	610mm	7.96
	914mm	9.78
Toe Board 	3106 x 198mm	9.11
	2496 x 198mm	7.46
	2190 x 198mm	6.63
	1886 x 198mm	5.74
	1581 x 198mm	4.93
	1276 x 198mm	4.14
	971 x 198mm	3.31
667 x 198mm	2.50	
Wall Connector 	2200mm	6.36
	1800mm	5.23
	1600mm	4.53
	1400mm	4.11
	1200mm	3.55
Tap Pin		0.19
		
Coupler		0.63
		

STEEL RINGLOCK $\Phi 48$ COMPONENTS TEST REPORT

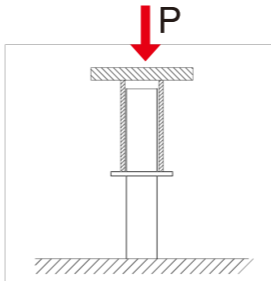
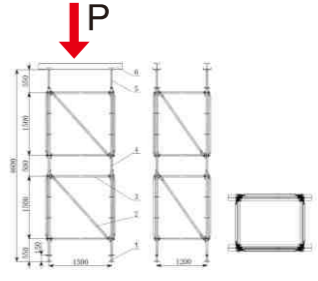
U Head	Standard Capacity P (kN)	Ultimate Capacity P (kN)	Screw Jack	Standard Capacity P (kN)	Ultimate Capacity P (kN)
	160	100		170	100
<p>When P=160kN, the screw is seriously bent and deformed, so that the pressure cannot rise. After unloading, the screw and nut are adjusted smoothly, the screw thread is slightly worn, and the nut is in good condition.</p>		<p>When P=170kN, the rod is seriously bent and deformed, so that the pressure cannot rise. After unloading, the screw and nut are adjusted smoothly, the screw thread is slightly worn, and the nut is in good condition.</p>			

Standard Post	Sizes (mm)	Ultimate Capacity P (kN)	Horizontal Brace	Sizes (mm)	Ultimate Capacity P (kN)
	3000	26		3048	0.81
	2500	37		2438	1.26
	2000	58		2134	1.64
	1500	102		1829	2.24
	1000	231		1524	3.22
	500	922		1219	5.03
	300	5764		914	8.95
<p>When P= (see the attached table), the post is severely bent and deformed so that the pressure cannot rise.</p>		<p>When P= (see the attached table), the brace is severely bent and deformed so that the pressure cannot rise.</p>			

Single Side Shear Test	Standard Capacity P (kN)	Ultimate Capacity P (kN)	Double Side Shear Test	Standard Capacity P (kN)	Ultimate Capacity P (kN)
	54.7	20		54.7	14
<p>When P=54.7kN, the pressure cannot rise due to the disc bending and deformation.</p>		<p>When P=54.7kN, the pressure cannot rise due to the disc bending and deformation.</p>			

Strength Test	Ultimate Capacity P (kN)	Tensile Test	Ultimate Capacity P (kN)
	80		25
		<p>When P=25kN, no obvious changes were observed after unloading.</p>	

STEEL RINGLOCK $\Phi 48$ COMPONENTS TEST REPORT

Strength Test For Inner Girth Welds	Ultimate Capacity P (kN)	The Frame (Body) Stress Test	Standard Capacity P (kN)	Ultimate Capacity P (kN)
	80		310	350
<p>When P=80kN, observe the product intact but abnormal after unloading.</p>				

MA AC IIBG-MRA CNAS 中国认可 国际互认 检测 TESTING CNAS L0230

180001280333 (2018) 认字 0777号

检验报告

TEST REPORT

BETC-KJ-2018-88

工程 / 产品名称: $\Phi 48$ 承插型盘扣式钢管支架
Name of Engineering/Product: $\Phi 48$ 承插型盘扣式钢管支架

委托单位: 广东奇正模架科技有限公司 / 阳江市奇正建筑智能设备研究院
Client: 广东奇正模架科技有限公司 / 阳江市奇正建筑智能设备研究院

检验类别: 委托检验
Test Category: 委托检验

国家建筑工程质量监督检验中心
NATIONAL CENTER FOR QUALITY SUPERVISION AND TEST OF BUILDING ENGINEERING

国家建筑工程质量监督检验中心 检验报告
TEST REPORT OF NATIONAL CENTER FOR QUALITY SUPERVISION AND TEST OF BUILDING ENGINEERING

报告编号 (No. of Report): BETC-KJ-2018-88 共4页 第1页 (Page 1 of 4)

委托单位 (Tested): 广东奇正模架科技有限公司/阳江市奇正建筑智能设备研究院

地址 (ADD.): 阳江市阳东区北惯镇十里工业园七区 C2-1

样品 (Sample): 名称 (Name): $\Phi 48$ 承插型盘扣式钢管支架 状态 (State): 正常
编号 (No.): KJ-2018-88 商标 (Brand): KITSEN
规格型号 (Type/Model): $\Phi 48 \times 2000$ (500)

生产单位 (Manufacturer): 广东奇正科技有限公司

送/抽样日期 (Date of delivery/ Sampling): 2018/06/14

检验 (Test): 项目 (Item): 极限承载力试验 数量 (Quantity): 一套
地点 (Place): 生产单位生产基地 日期 (Date): 2018/06/15
仪器 (Instruments): 压力传感器、经纬仪、钢卷尺等

检验依据 (Test based on): GB 51210-2016 《建筑施工脚手架安全技术统一标准》

判定依据 (Criteria based on): GB 51210-2016 《建筑施工脚手架安全技术统一标准》

检验结论 (Conclusion):

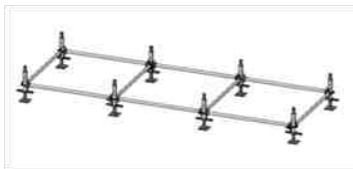
经检验:
该 $\Phi 48$ 承插型盘扣式钢管支架架体极限承载力为 310 kN。
(本页以下无正文)

备注: /

批准 (Approval): 审核 (Verification): 主检 (Chief tester): 联系电话 (Tel.): 报告日期 (Date):
(0316) 2023837 2018/07/31
(0316) 2311488

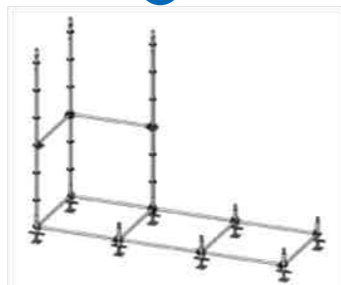
STEEL RINGLOCK $\Phi 48$ ERECTION INSTRUCTION

1



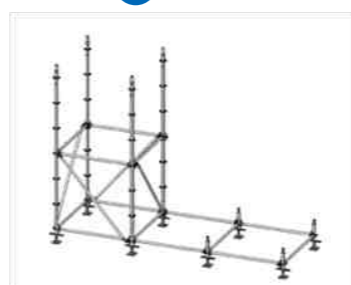
Position and connect the base collars and jacks with horizontal brace, then adjust to the consistent height.

2



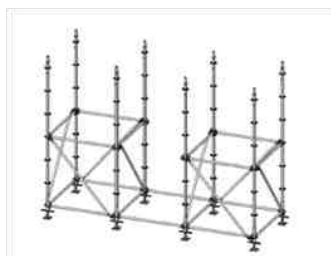
Install the standard post on top of the base collar. Connect the fixed post with the horizontal brace

3



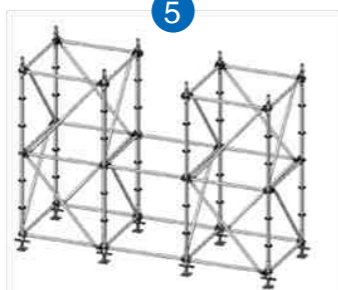
Connect the standard post with diagonal brace.

4



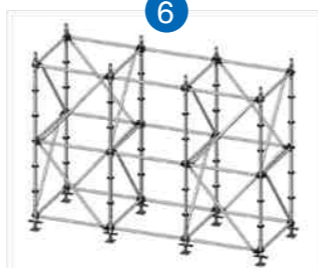
Repeat Step 2 and Step 3.

5



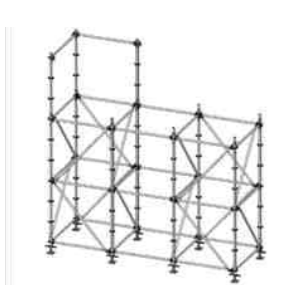
Install horizontal brace and diagonal brace to stabilise standard posts.

6



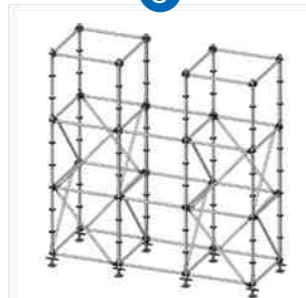
Install horizontal brace between the span for connection.

7



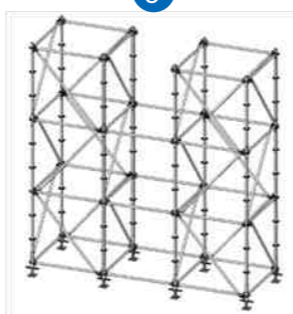
Install standard post upwards, and connect it with horizontal brace.

8



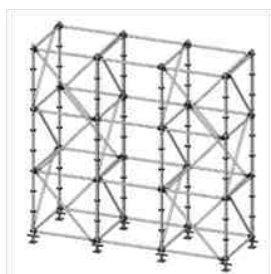
Repeat step 7 for the other side.

9



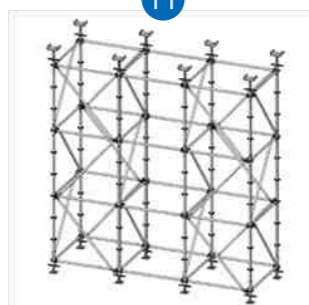
Install diagonal brace.

10



Repeat Step 6

11



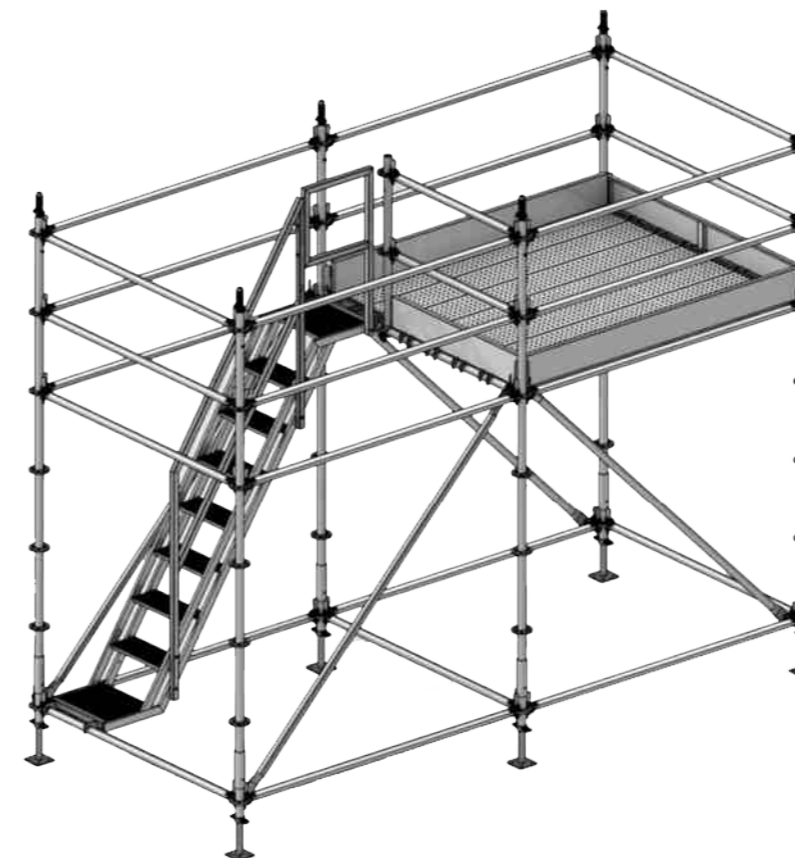
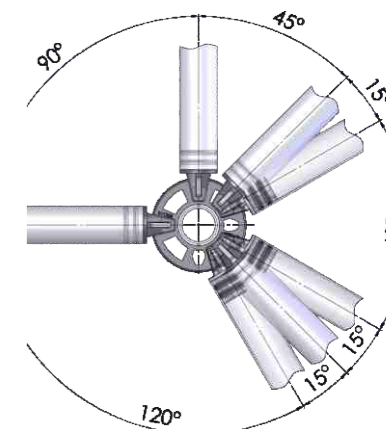
Install U head on the top posts and level height.

12



Layout support beam on the U heads.

ALUMINIUM RINGLOCK SCAFFOLD $\Phi 48$



Applications

It is widely used for maintenance, repairing and cleaning works on subways, tunnels, road and bridge construction, airport, petrochemical construction, etc.



www.tuv.com
ID 1000000000

Aluminum Ringlock Scaffolding System is all-round multi-directional aluminum alloy scaffold. This system, which is much more flexible than portal frame scaffold, provides access for most maintenance, cleaning and decoration works especially for complicated structure at great heights.

Easy to Handle

- ✓ The whole system requires no extra tools or loose fittings for its setup and dismantling.
- ✓ An aerial platform of 20m can be easily assembled by two persons within a short time.
- ✓ The whole process is as easy as toy bricks game.

Tested Strength and Safety

- ✓ The strength of components and joints is strictly tested. And the access deck can take 200kg/m².

Versatility

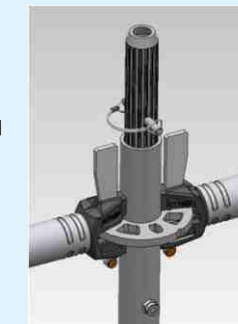
- ✓ KITSEN Ringlock Scaffold makes a great combination of simplicity and flexibility. It can be designed and assembled in many ways to suit different work environments.

Long Lifespan

- ✓ All aluminum components are anodized with cast interlocks which provides itself a lifespan of 10 years or more.



Standard Post & Screw Jack

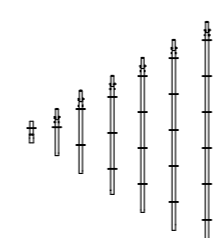
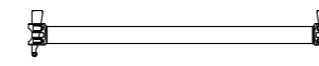



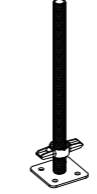
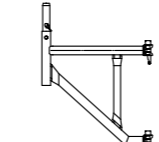


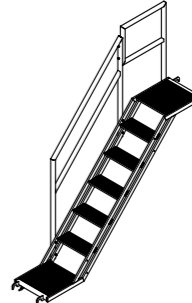
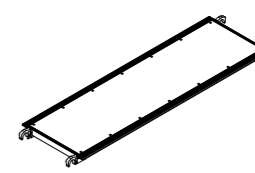
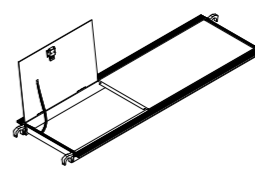
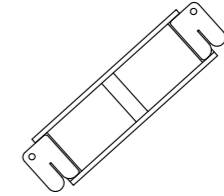
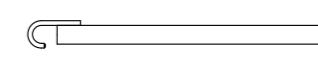
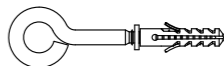

Standard Post & Snap Pin

ALUMINIUM RINGLOCK SCAFFOLD Φ48 PROJECTS



ALUMINIUM RINGLOCK SCAFFOLD Φ48 BASIC COMPONENTS

		[kg]
Standard Post 	L=3000mm	6.19
	L=2500mm	5.22
	L=2000mm	4.31
	L=1500mm	3.36
	L=1000mm	2.41
	L=500mm	1.44
	L=410mm	0.91
Horizontal Brace 	L=3048mm	5.56
	L=2438mm	4.76
	L=2133mm	4.36
	L=1829mm	3.97
	L=1524mm	3.57
	L=1219mm	3.18
	L=914mm	2.77
L=610mm	2.38	
Double Ledger 	L=3048mm	8.52
	L=2438mm	7.03
	L=2133mm	6.21
	L=1829mm	5.54
Truss 	L=3048mm	13.74
	L=2438mm	11.55
Diagonal Brace 	3048 x 2000mm	5.22
	3438 x 2000mm	4.75
	2133 x 2000mm	4.54
	1829 x 2000mm	4.34
	1524 x 2000mm	4.16
	1219 x 2000mm	4.01
	914 x 2000mm	3.89
Screw Jack 	600mm	3.18
Bracket 	305mm	2.62
	610mm	4.39
	914mm	5.70

		[kg]
Steel Stair Case 	7' x 2000mm	27.8
Plain Plank 	610 x 693mm	5.82
	610 x 1293mm	10.30
	610 x 1400mm	11.15
	610 x 1643mm	13.08
	610 x 1800mm	14.17
	610 x 2000mm	15.75
	610 x 2500mm	19.73
	610 x 2572mm	20.13
Trapdoor Plank 	610 x 2000mm	15.88
	610 x 2500mm	19.82
Toe Board 	3106 x 198mm	9.11
	2496 x 198mm	7.46
	2190 x 198mm	6.63
	1886 x 198mm	5.74
	1581 x 198mm	4.93
	1276 x 198mm	4.14
	971 x 198mm	3.31
	667 x 198mm	2.50
Wall Connector 	2200mm	6.36
	1800mm	5.23
	1600mm	4.53
	1400mm	4.11
	1200mm	3.55
Tap Pin 		0.19
Coupler 		0.63



KWIKSTAGE SYSTEM

Kwikstage is a universally established prefabricated scaffolding system widely used for building construction internally and externally, decoration, maintenance, etc. It can adapt to complex indoor and outdoor operation environments which differ by various terrain and space. Kwikstage is very popular for its advantages of light weight, modular components and free combinations.



FEATURES & ADVANTAGES

- ✓ Components such as standard post, horizontal brace and diagonal brace are manufactured with high strength aluminum alloy. The connecting part of the standard post adopts 4V aluminum profile and TIG welding method to ensure the rigidity strength of this part and the balance, stability and loading capacity of the whole scaffold. Braces are made of aluminum alloy and steel by riveting, which ensures strong capacity and assembly stiffness, and long lifespan.
- ✓ Kwikstage is a complete system with main components such as standard post, diagonal and horizontal brace and auxiliary accessories including platform, tripod, toe board, hanging ladder, ladder with handrail and base jack. Four directional connecting ways of the post ensure that the rigid connection of the whole scaffold is not deformed; safety hook and buckle connect accessories with main scaffold providing safe and secure access of whole scaffold.
- ✓ The scaffold can reach 50 meters height satisfying various application requirements.
- ✓ Modular components realize quick and easy erection. Simple erection procedures ensure stringent safety levels can be easily achieved.





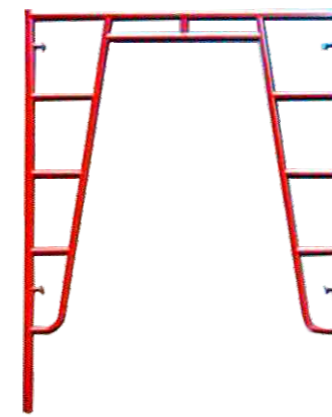
SHORING FRAME

KITSEN Frame Scaffold is a long established modular frame system serving as working platform for construction and decoration purposes, which is composed of frames, walk-boards, bracings, brackets, coupling pins, stair ladders, guardrails and sometimes casters, etc.

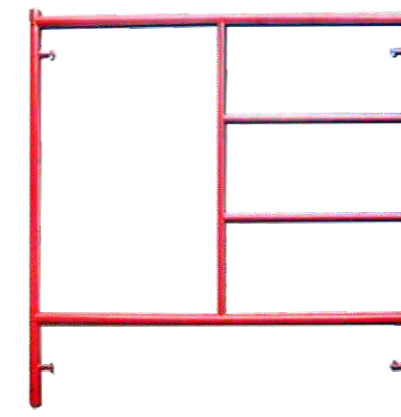
Frequently it is used in one or two tiers by residential contractors, painters and plasterers yet can be stacked several stories high for large-scale construction jobs.

FEATURES & ADVANTAGES:

- ✓ Easy assembly and dismantling
- ✓ Fast erection
- ✓ High-strength steel tubing
- ✓ Safe, durable
- ✓ Customized request acceptable



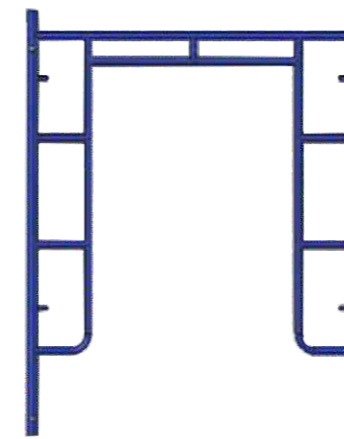
WF5076M



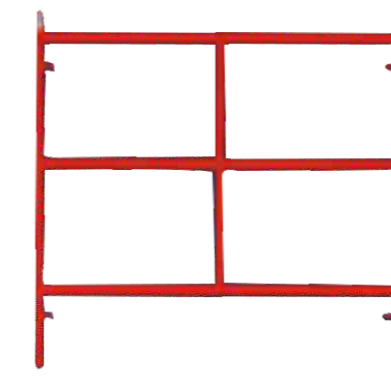
WF5064J



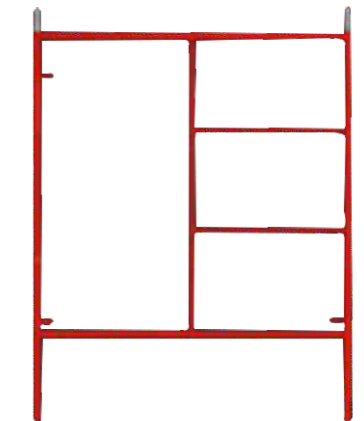
WF2040B / WF2050C / WF2064D



WF50067H



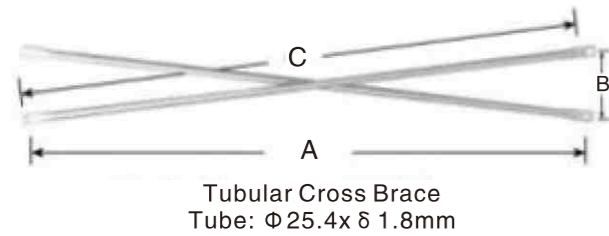
WF5040R



WF5064

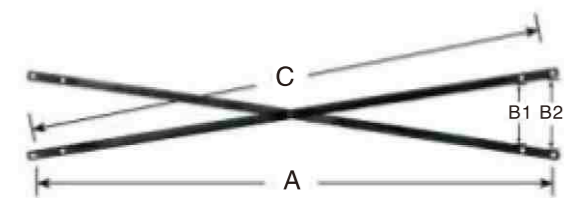
Item No.	ERP NO.	Size (W*H)	Weight (kg)
WF5067H	13115067010	5' x 6'7"	21.2
WF5067W	13135067080	5' x 6'7"	21.2
WF3040K	13113040030	3' x 4'	9.8
WF5068K	13115068010	3' x 6'8"	15.3
WF5050H	13115050010	5' x 5'	17
WF5064J	13135064130	5' x 6'4"	20
MF5040R	13145040010	5' x 4'	17
MF5050S	13115050010	5' x 5'	19
MF2064D	13122064040	2' x 6'4"	14
MF2050C	13122050040	2' x 5'	13.4
MF2048B	13122040010	2' x 4'	8.5

Finish: Hot Dip Galvanized



Tubular Cross Brace

ERP No.	Spec.	A	B	C(mm)	Weight(kgs)
13854020020	4'x2'	4'	2'	1363	2.9
13854040020	4'x4'	4'	4'	1724.2	3.7
13855020020	5'x2'	5'	2'	1641.3	3.6
13855040030	5'x4'	5'	4'	1952	4.1
13856020020	6'x2'	6'	2'	1927.9	4.07
13856040030	6'x4'	6'	4'	2198	4.6
13857020030	7'x2'	7'	2'	2219	4.62
13857040030	7'x4'	7'	4'	2457.4	5.18
13858020020	8'x2'	8'	2'	2513.4	5.3
13858040030	8'x4'	8'	4'	2726	5.78
13850020020	10'x2'	10'	2'	3108.4	6.7
13850040030	10'x4'	10'	4'	3283	6.9



Angular Cross Brace
Material: $1-1/4" \times 1-1/4" \times \delta 1/8"$

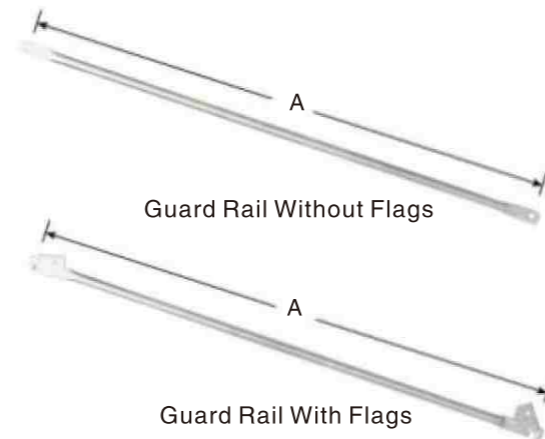
A-Frame Spacing

B-Stub Spacing

C-Center-to-Center Holes

Angular Cross Brace

ERP No.	Spec.	A	B1	B2	C(mm)	Weight(kgs)
13854040040	4'x4'x3'	4'	3'	4'	1724.2	5.3
13855040020	5'x4'x3'	5'	3'	4'	1952	6
13856040020	6'x4'x3'	6'	3'	4'	2198	6.72
13857040020	7'x4'x3'	7'	3'	4'	2457	7.5
13858040020	8'x4'x3'	8'	3'	4'	2726	8.32
13850040020	10'x4'x3'	10'	3'	4'	3283	10



Guardrail W/O Flags

Part #	ERP No.	Spec.	A(mm)	Tube dia.(mm)	Weight(kgs)
Gr2	13860020010	2'	609.6	$\Phi 25.4 \times \delta 1.7$	0.61
Gr3	13860030010	3'	914.4	$\Phi 25.4 \times \delta 1.7$	0.91
Gr4	13860040010	4'	1219.2	$\Phi 25.4 \times \delta 1.7$	1.21
Gr5	13860050010	5'	1219.2	$\Phi 25.4 \times \delta 1.7$	1.51
Gr6	13860060010	6'	1828.8	$\Phi 25.4 \times \delta 1.7$	1.82
Gr7	13860070010	7'	2133.6	$\Phi 25.4 \times \delta 1.7$	2.12
Gr8	13860080010	8'	2438.4	$\Phi 32 \times \delta 2$	3.61
Gr10	13860000010	10'	3048	$\Phi 32 \times \delta 2$	4.51

Guardrail W/Smaller Flags

Part #	ERP No.	Spec.	A(mm)	Tube dia.(mm)	Weight(kgs)
GR3C	13860030030	3'	914	$\Phi 25.4 \times \delta 1.8 \times L974$	1.39
GR4C	13860040060	4'	1219	$\Phi 25.4 \times \delta 1.8 \times L1279$	1.74
GR5C	13860050030	5'	152	$\Phi 25.4 \times \delta 1.8 \times L1584$	2.08
GR6C	13860060030	6'	1829	$\Phi 25.4 \times \delta 1.8 \times L1889$	2.43
GR7C	13860070030	7'	2134	$\Phi 25.4 \times \delta 1.8 \times L2194$	2.77
GR8C	13860080040	8'	2438	$\Phi 25.4 \times \delta 1.8 \times L2498$	3.11
GR9C	13860090010	9'	2743	$\Phi 25.4 \times \delta 1.8 \times L2803$	3.46
GR10C	13860100020	10'	2743	$\Phi 25.4 \times \delta 1.8 \times L3108$	3.8

Guardrail W/Bigger Flags

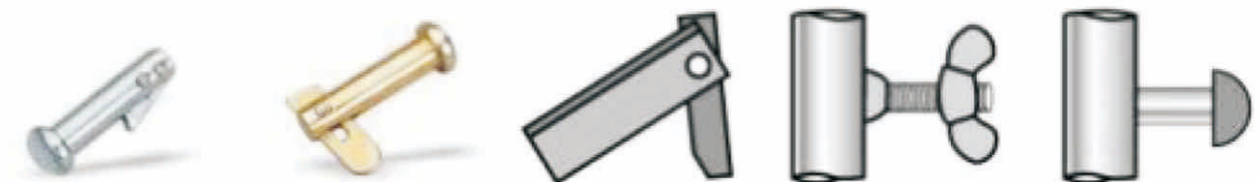
Part #	ERP No.	Spec.	A(mm)	Tube dia.(mm)	Weight(kgs)
GR3C1	13860030040	3'	914	$\Phi 32 \times \delta 2 \times L974$	1.76
GR4C1	13860040070	4'	1219	$\Phi 32 \times \delta 2 \times L1279$	2.1
GR5C1	13860050040	5'	1524	$\Phi 32 \times \delta 2 \times L1584$	2.65
GR6C1	13860060040	6'	1829	$\Phi 32 \times \delta 2 \times L1889$	3.09
GR7C2	13860070050	7'	2134	$\Phi 32 \times \delta 2 \times L2194$	3.53
GR8C2	13860080060	8'	2438	$\Phi 32 \times \delta 2 \times L2498$	3.97
GR9C2	13860090030	9'	2743	$\Phi 32 \times \delta 2 \times L2803$	4.41
GR10C2	13860100030	10'	3048	$\Phi 32 \times \delta 2 \times L3108$	4.86

Scaffold Accessories--Locking Systems

Finish: Zinc plated



Part No.	SA-SR	SA-GP	SA-TP	SA-RP	SA-FHR	SA-SP
Description	Spring Relainer	Gravity Pin	Toggle Pin	Roll Pin	Flat Head Rivet	Snap Pin

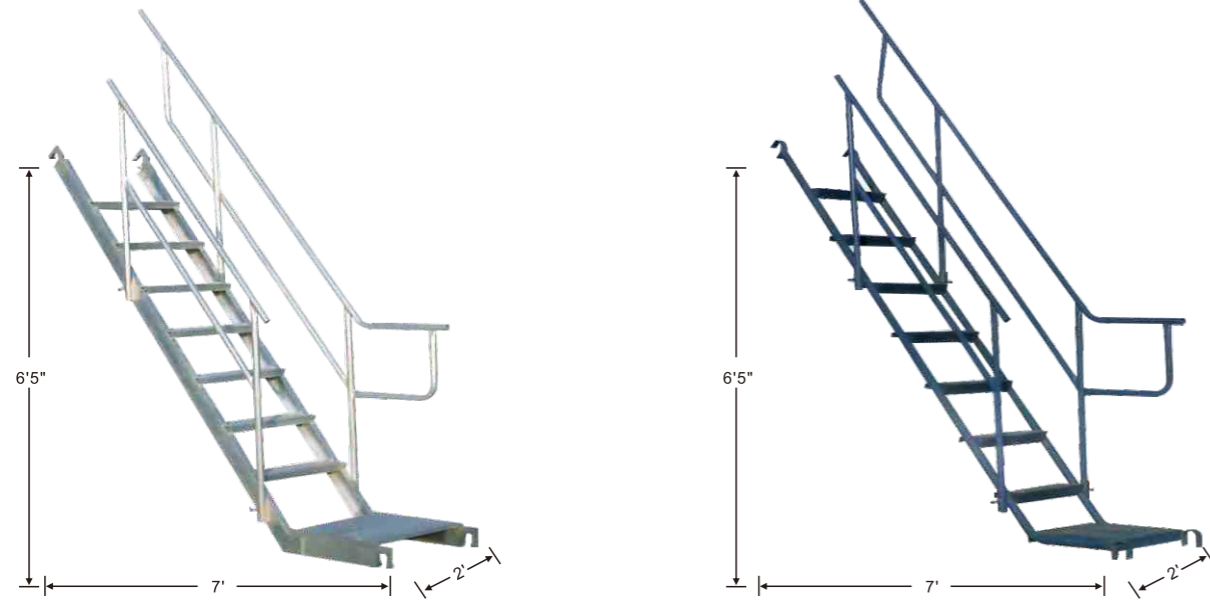


Part No.	SA-DL	SA-FLH	SA-SFL	SA-WN	SA-SOL
Description	Drop Lock	Flip Lock w/Hend	Square Flip Lock	Wing Nut	Snap on Lock



Part No.	SA-SLS	SA-SL	SA-FL	SA-TSL
Description	Slide Lock w/2 Slides	Slide Lock w/1 Slides	Fast Lock	Top Slide Lock

Stair Ladder with Handrails

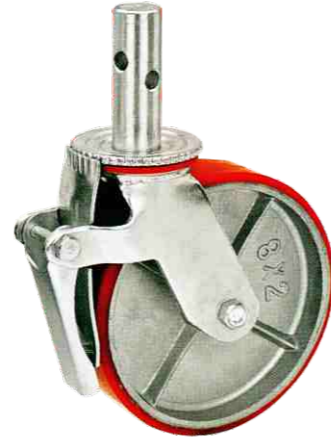


Part No.	Material	Weight(kg)
ST7A	Aluminium 6061-T6	32
ST7S	Steel Q235A	62

Eagle Caster Wheel



CIR with Cast Iron Core
Rubber Tread Wheel



CIPU with Cast Iron Core
Polyurethane Tread Wheel

Icon 1	Icon 2	Icon 3	Icon 4	Icon 5	Icon 6	Icon 7	Icon 8	Icon 9
B011xxx6	210	6"x2"	HC	45	4"	17-16/ or	6	200
B011xxx8	210	8"x2"	HC	55	4"	others	5	250

Corner Guard Rail Post

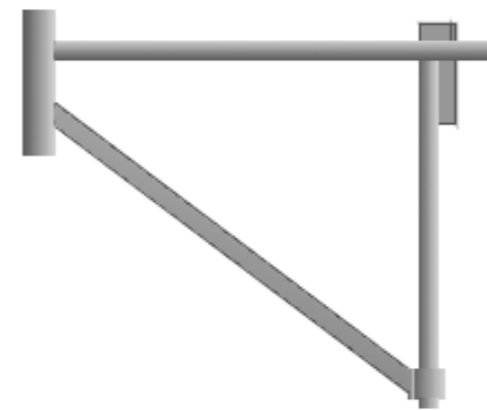


Part No.	Size	Weight(kg)
GP801	52"	5.5

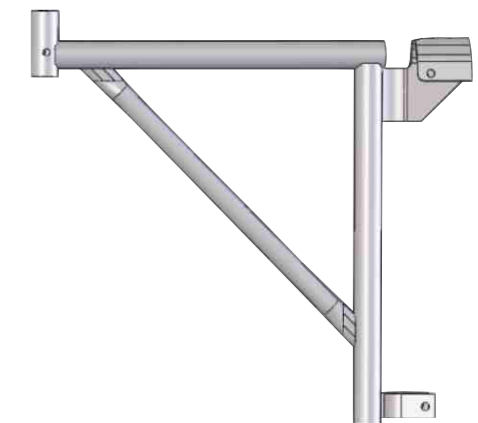
Part No.	Size	Weight(kg)
GP201	43"	3.4

Part No.	Size	Weight(kg)
GP401	52"	4.7
GP402	45"	3.5

Side Brackets



Part No.	Description	Weight(kg)
SB21A2	21"End Bracket	3.5



Part No.	Description	Weight(kg)
SB20R4	20"End Bracket	5

MINI ROLLING SCAFFOLD

Folding Scaffold series are light in weight and easy in operation. There are various sizes and designs to meet your special working requirements both indoors and outdoors. These scaffold series are especially ideal for internal and external decoration and maintenance.

FEATURES & ADVANTAGES:

- ✓ Tested safety
- ✓ Light weight
- ✓ Easy to handle
- ✓ Attractive display
- ✓ Convenient for transport and store
- ✓ Durable, maintenance free



Aluminium Climb Scaffold

The Aluminium Climb Scaffold can be detached to one tier or stacked two stories to meet your specific demands.

ERP #:14230600240
 Material:Aluminium 6061-T6
 Size(mm):1642X640X4878
 Weight:81.8kg
 Safe Working Load:200kg



Stabilizer



Caster wheel



Trapdoor Platform

Z TYPE FOLDING SCAFFOLD



Aluminium Z Type Folding Scaffold w/Guardrail System

ERP #:14230600110
 Material:Aluminium 6061-T6
 Size(mm):1910X680X2830
 Weight:47.3kg
 Safe Working Load: 150kg



Aluminium Z Type Folding Scaffold w/o Guardrail System

ERP #:14230600160
 Material:Aluminium 6061-T6
 Size(mm):1910X680X1803
 Weight:36.9kg
 Safe Working Load:150kg

MULTIFUNCTIONAL SCAFFOLD



Aluminium Multifunctional Scaffold

Guardrail System can be optional subject to your specific working demands.

ERP #:14240600130
 Material:Aluminium 6061-T6
 Size(mm):1833X695X1651
 Weight:38.4kg
 Safe Working Load:450kg



Steel Multifunctional Scaffold

Guardrail System can be optional subject to your specific working demands.

ERP #:14240600633
 Material:Steel Q235
 Size(mm):1828X698X1651
 Weight:66.1kg
 Safe Working Load:450kg

V TYPE FOLDING SCAFFOLD



Aluminium V Type Folding Scaffold w/ Guardrail System

ERP #:14230600030
 Material:Aluminium 6061-T6
 Size(mm):1400X680X2852
 Weight:49.6kg
 Safe Working Load:150kg



Aluminium V Type Folding Scaffold w/o Guardrail System

ERP #:14230600080
 Material:Aluminium 6061-T6
 Size(mm):1400X680X1852
 Weight:26.4kg
 Safe Working Load:150kg

THE FLEXIBLE FOLDING SCAFFOLDING(AS/NZS 1576.3:1995)

Aluminium Easy Folding Scaffold

ERP#: 19002250030
 Material: Aluminium 6061-T6
 Size(mm): 1910x680x2965
 Weight: 62kg
 Safe Working Load: 225kg



Base Unit

Width: 680mm
 Length: 1910mm
 Height: 2082mm



Base Unit With Guardrail

Width: 680mm
 Length: 1910mm
 Height: 2965mm



Up to 4.7m

Width: 680mm
 Length: 1910mm
 Height: 4700mm

X TYPE FOLDING SCAFFOLD ALUMINIUM



4ft Aluminium X Type Folding Scaffold

ERP #:14220400010
 Material:Aluminium 6061-T6
 Size(mm):1168X533X1222
 Weight:16.4kg
 Safe Working Load:150kg



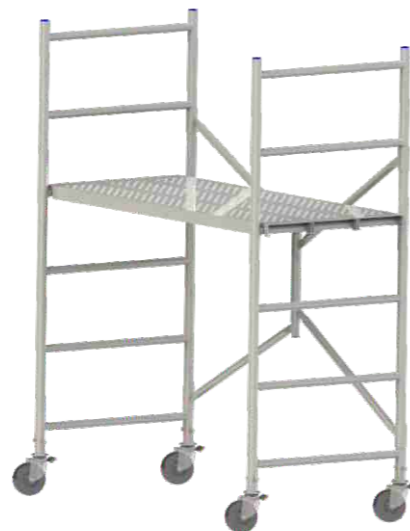
4ft Aluminium X Type Folding Scaffold

w/ single side wheels
 ERP #:14240400020
 Material:Aluminium 6061-T6
 Size(mm):1168X533X1222
 Weight:14.6kg
 Safe Working Load:150kg



5ft Aluminium X Type Folding Scaffold

ERP #:14220500030
 Material:Aluminium 6061-T6
 Size(mm):1250X600X1524
 Weight:24.4kg
 Safe Working Load:200kg



6ft Aluminium X Type Folding Scaffold

ERP #:14220600010
 Material:Aluminium 6061-T6
 Size(mm):1400X700X1828
 Weight:30.1kg
 Safe Working Load:280kg

X TYPE FOLDING SCAFFOLD STEEL



4ft Steel X Type Folding Scaffold

ERP #:14220400053
 Material:Steel Q235
 Size(mm):1168X533X1220
 Weight:32.1kg
 Safe Working Load:150kg



5ft Steel X Type Folding Scaffold

ERP #:14220500013
 Material:Steel Q235
 Size(mm):1250X600X1524
 Weight:25.7kg
 Safe Working Load:200kg



4ft Steel X Type Folding Scaffold

w/ single side wheels
 ERP #:14220400033
 Material:Steel Q235
 Size(mm):1168X533X1220
 Weight:32.9kg
 Safe Working Load:150kg



6ft Steel X Type Folding Scaffold

ERP #:14220600023
 Material:Steel Q235
 Size(mm):1400X700X1727
 Weight:53.8kg
 Safe Working Load:280kg

