

Established in 1995

KITSEN[®]

WALL FORMWORK



www.kitsen.com

KITSEN[®]

KITSEN Formwork and Scaffolding Technology Co., Ltd.

Address: Fengwei Shan, Beiguan Town, Yangjiang, Guangdong, China.

Postcode: 529932

Tel: 86-662-6697499, 86-662-6698891

E-mail: sales@kitsen.com, info@kitsen.com

Website: www.kitsen.com

Branch Company: Topsafe Formwork and Scaffolding Technology (Cambodia) Co., Ltd.

Address: #12, St 5J, Prek Leap Village, Sangkat Prek Leap, Khan Chroy Chongvar, Phnom Penh Penh, Cambodia

Branch Company: KITSEN Aluminium Scaffold (Malaysia) Sdn Bhd.

Address: No. 48, Jalan Kapar 27/89, Seksyen 27 Megah Industrial Park, Taman Alam Megah 40400

Shah Alam, Selangor Darul Ehsan Malaysia

Branch Company: K.F.S Formwork and Scaffolding Inc.

Address: 9F Tower 3, WeWork, Uptown Bonifacio, 36th Street Corner 11th Avenue, Fort Bonifacio,

Taguig City, 1634, Philippines.

Branch Company: KITSEN Formwork & Scaffolding LLC.

Address: Prime Business Centre Tower A, Office 1703, Jumeirah Village Circle, Dubai, UAE.



Safety | High Efficiency | Economy | Environment Friendly

CONTENTS

CONTENTS



▶ **KITSEN 1st Factory** (80,000m² Area)



▶ **KITSEN 2nd Factory** (100,000m² Area)



▶ **KITSEN 3rd Factory** (100,000m² Area)

- ◆ COMPANY INTRODUCTION 01
- ◆ ISO/ PRODUCT CERTIFICATION 02
- ◆ K100 WALL & COLUMN FORM 03
- ◆ K140 WALL & COLUMN FORM 11
- ◆ K20 TIMBER SYSTEM 17
- ◆ ALUMINIUM BEAMS SYSTEM 20
- ◆ RETAINING WALL FORM 23
- ◆ EXHIBITION AND PROJECT 27

WHO WE ARE

Founded in 1995 by Mr. David Huang, KITSEN Technologies Co., Ltd. is committed to R&D and production of formwork and scaffold products and technologies. KITSEN always focuses on providing high performance products and engineering services to its value clients all over the world.

KITSEN owns 3 factories with total area of 280,000 square meters and 1200 reliable workers, including 200 engineers, 30 quality inspectors, and 60 sales to guarantee qualified production and professional service.

Annual production capacity can reach 1,000,000 square meters aluminium formwork and 1200 containers for other formwork and scaffoldings.

WHAT WE DO

KITSEN covers rich product range of wall and column formwork, slab formwork and different scaffolds to meet clients' need. Key products include:

- (1) Aluminium Formwork
- (2) Self-climbing Platform System
- (3) K100 Wall & Column Formwork System
- (4) Fastform Slab Formwork
- (5) 3D Deck
- (6) Aluminium Tower Scaffold
- (7) Mobile Folding Scaffold
- (8) Ringlock Scaffold
- (9) Shoring Prop
- (10) OEM & ODM Service

WHERE WE GO

KITSEN has founded oversea branch companies and marketing offices in Cambodia, Indonesia, Malaysia, the Philippines, and Dubai, etc. With local experienced and professional staffs, KITSEN provides reliable products and in-time construction services to local clients.

Meanwhile, KITSEN has established long-term business cooperative relationship with world's leading brands in the market. With more than 26 years development, KITSEN has successfully earned high reputation based on hundreds of successful projects in more than 80 countries around the world.

OUR VALUE

To build up win-win cooperation with client and provide client-oriented service.

OUR MISSION

To provide integrated construction solutions with intelligent and environmental formwork and scaffolding systems to help our customers build safe, fast and smart in cost-saving construction method. Herein called "1+N" Overall Solution.

CERTIFICATES



ISO9001:2015 International Quality System



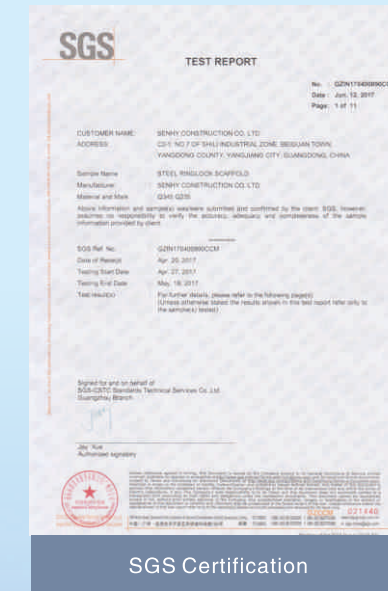
ISO45001:2018 Occupational Health and Safety Management System



TUV Certification



CE Certification



SGS Certification



IIW International Welding Certification

All KITSEN formwork and scaffolding are covered by CNY10,000,000.00 Product Liability Insurance.





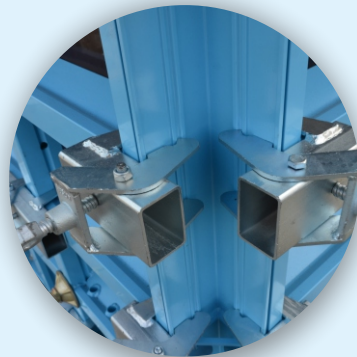
K100 WALL & COLUMN FORM

K100 Wall & Column Form is designed to minimize the number of components and improve site and yard efficiency by an excellent R&D team with 20-year experience and expertise, manufactured under strict quality control standard.

It is made of aluminium frame and plywood surface panel, which is very light in weight and high in strength. It can resist concrete pressure up to 60KN/m².

The panel clamps guarantee effective and quick connection of panels. K100 Wall & Column Form is a complete system with fixed and hinged corners which allows the formation of any wall shapes on site.

The system is widely applied to huge shear wall and column construction, bridge pier, dam and slope wall, retaining wall projects.



FEATURES & ADVANTAGES

Simple & Light weight

- ✓ Large modular design with basic components as panels, clamps and tie rods.
- ✓ The panel frame is made of aluminium alloy 6061-T6 and 12mm thickness birch plywood as panel surface.
- ✓ The standard panel size in 2.4x0.6m weighs 33kgs, which can be easily handled by a single worker.

High Loading Capacity

- ✓ The scientific profile design enhances the good stiffness which provides high strength loading capacity with its allowable concrete pressure up to 60KN/m² for one time pouring.

Safe & Efficient

- ✓ Simple and large area design with less accessories makes it easy for installation and dismantling. The maximum size panel is 900x3000mm, it realizes high efficiency of 90-110m²/ day /worker for installation and dismantling.

Long-term Benefit


- ✓ Large modular panel design shortens the construction period and reduces material investment and labor cost.
- ✓ The birch plywood can be reused for 60 times with both sides and replaced with new panel sheet.
- ✓ The aluminium frame can be reused for 300 times which has 30% return rate.
- ✓ Smooth concrete surface after dismantling reduces cost for second time plastering.

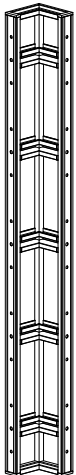
Well-organized Material Management


- ✓ Modular design panels and standardized components are well displayed and stored in warehouse or job site, to save space and make job site clean and tidy.

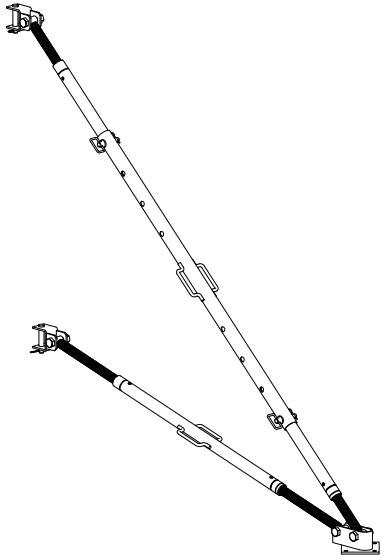


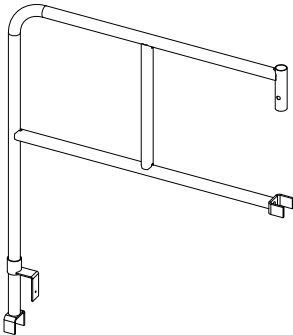
K100 WALL & COLUMN FORM BASIC COMPONENTS

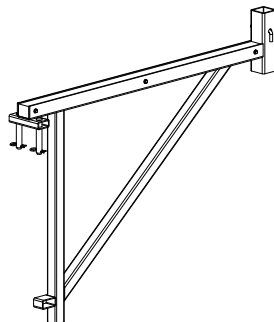
		[kg]
Wall Panel 	600x450mm	26.37
	600x500mm	8.79
	600x550mm	9.32
	600x600mm	10.34
	600x900mm	13.49
	900*900mm	18.35
	1200x450mm	14.32
	1200x500mm	15.26
	1200x550mm	16.21
	1200x600mm	17.65
	1200x900mm	23.31
	2400x450mm	26.37
	2400x500mm	28.15
	2400x550mm	29.93
2400x600mm	32.21	
2400x900mm	42.90	
3000x500mm	34.89	
3000x600mm	39.29	
3000x900mm	52.49	

Inside Corner 	300x300x900mm	12.42
	300x300x2400mm	30.18
	300x300x3000mm	37.02

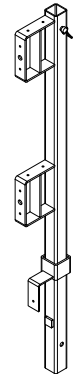
Outside Corner 	300x300x300mm	35.66
	300x300x600mm	8.85
	300x300x900mm	12.84

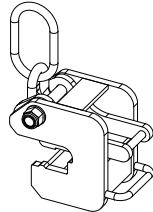
		[kg]
Plumbing Brace 	1020-1700mm	29.63

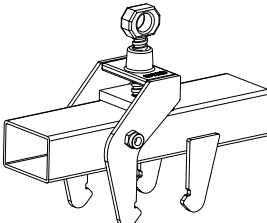
Guardrail Frame 	960x1243mm	7.36

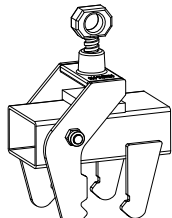
Rigid Bracket 	689x1122mm	13.87

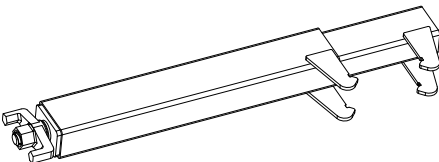
K100 WALL & COLUMN FORM BASIC COMPONENTS

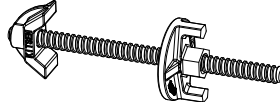
		[kg]
Guardrail Post 	L=1194mm	6.73

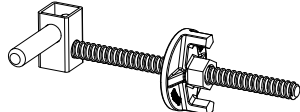
Lifting Panel Clamp 		10.66

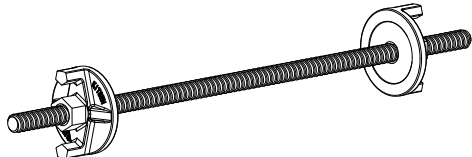
Standard Panel Clamp 	300x207.5mm	2.97

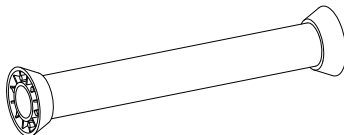
Outside Corner Clamp 	100x207.5mm	1.95

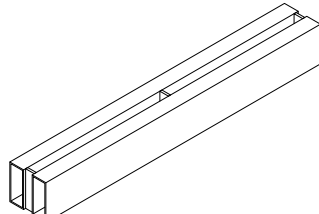
Adjustable Panel Clamp 		7.14

		[kg]
Column Tie Rod Unit 		1.29

Panel Aligner Tie Rod Unit 		1.44

Threaded Tie Rod Unit 		1.98

Plastic Sleeve & Plastic Cone 		0.03
		0.17

Panel Aligner 	800mm	10.46
	1200mm	15.52

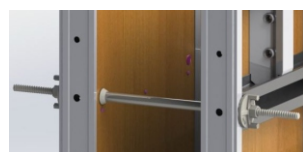
K100 WALL & COLUMN FORM SECTION SOLUTION

Details of Connectors



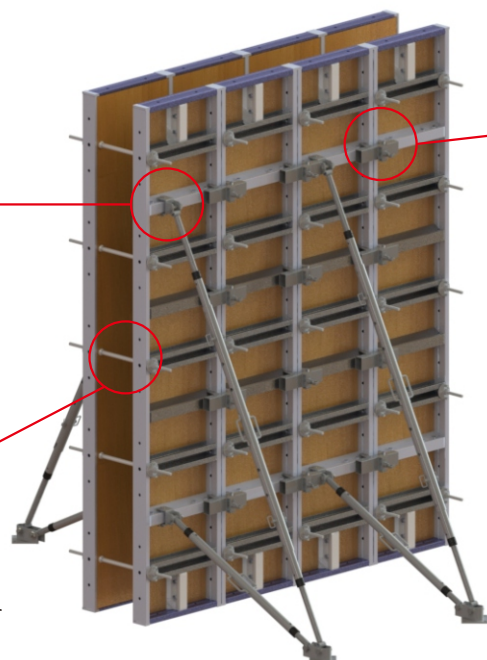
Plumbing Brace Connector

To clamp on panel frame rib on where the wall concrete pressure is high to enhance the strength.



Tie Rod Unit

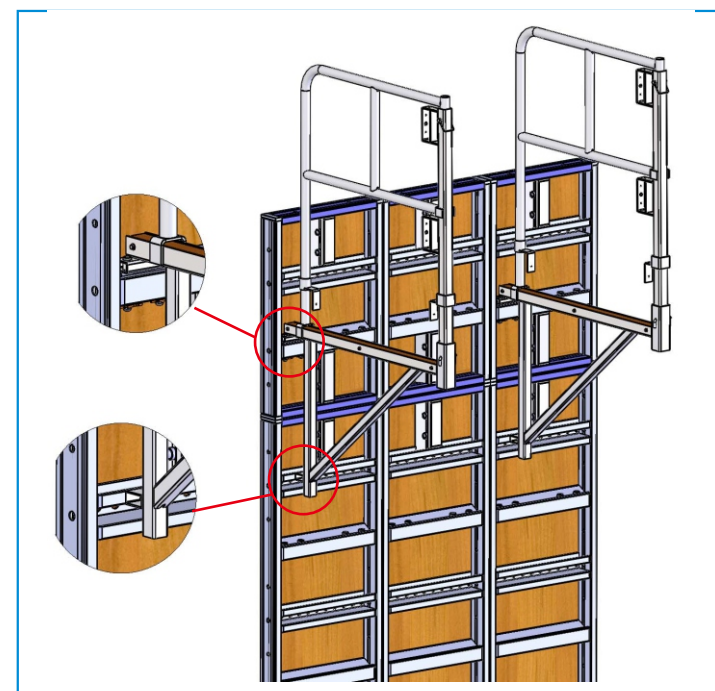
The $\Phi 18$ mm tie rod used to connect both inner panel and outer panel can be flexibly adjusted the distance based on wall thickness.



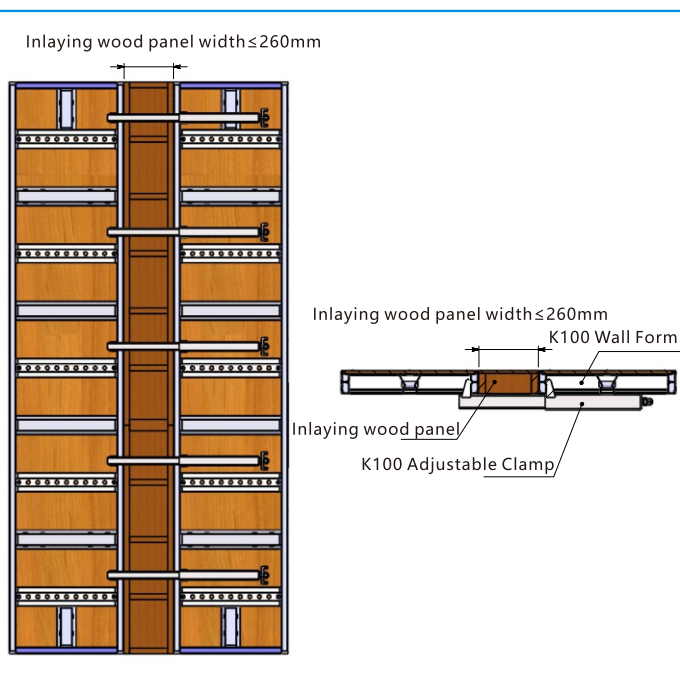
K290 Standard Panel Clamp

The panel clamp of 290mm in length is used to connect two panels tightly vertically.

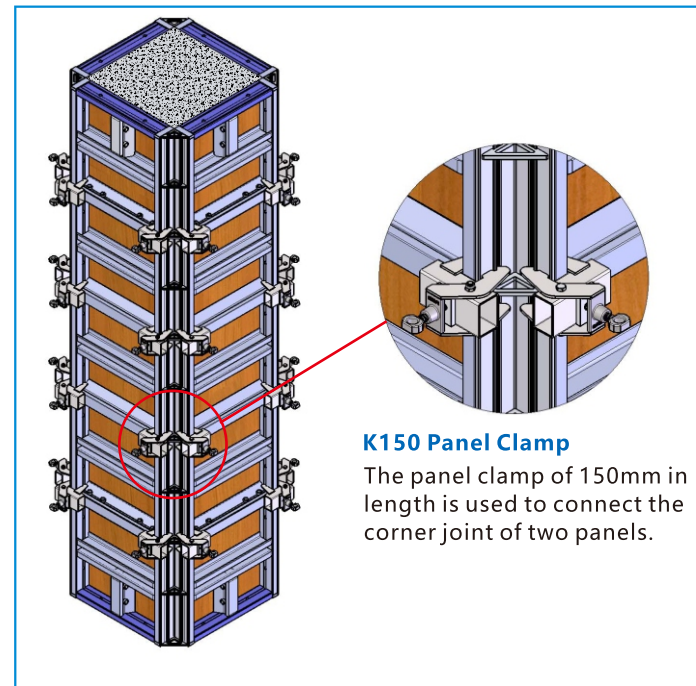
Details of Guardrail Post, Guard End frame and Catwalk Side Bracket



Details of Adjustable Panel Clamp

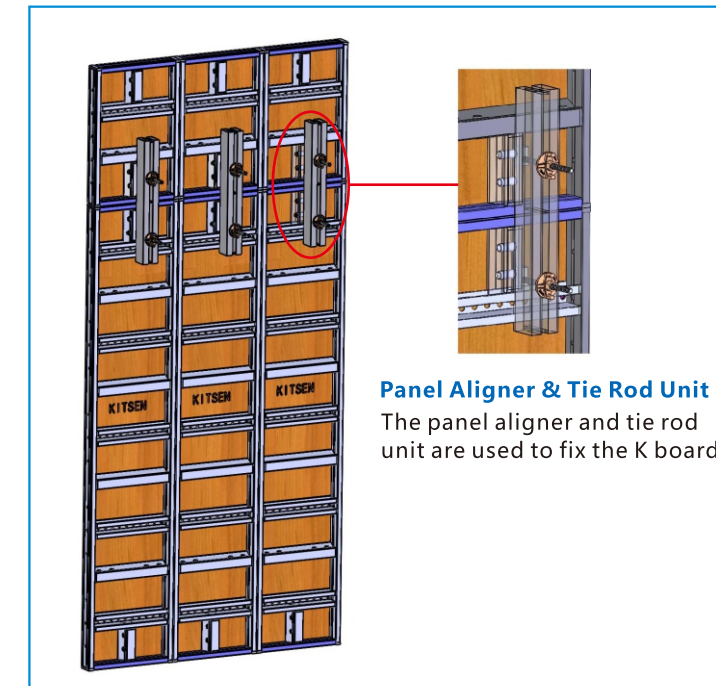


K100 WALL & COLUMN FORM SECTION SOLUTION



K150 Panel Clamp

The panel clamp of 150mm in length is used to connect the corner joint of two panels.

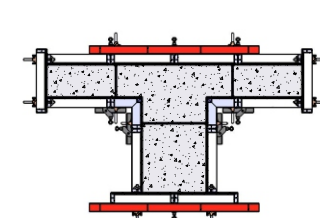
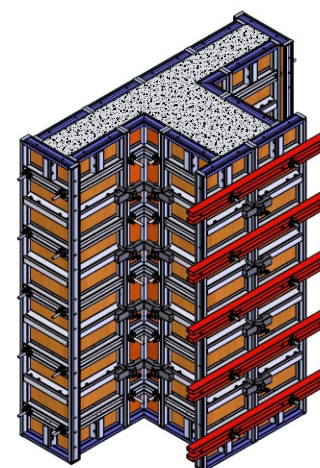


Panel Aligner & Tie Rod Unit

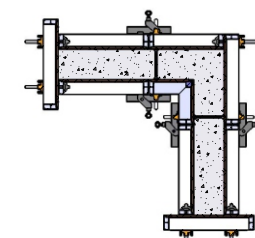
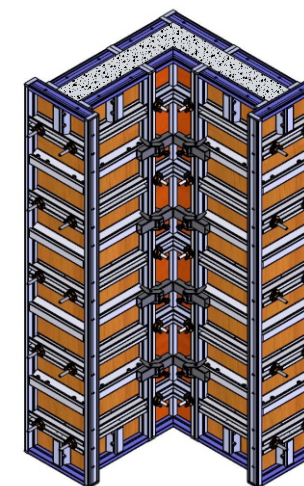
The panel aligner and tie rod unit are used to fix the K board.

Solution for Columns in Different Shape

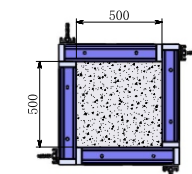
T-Corner



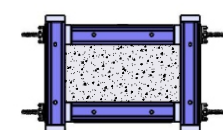
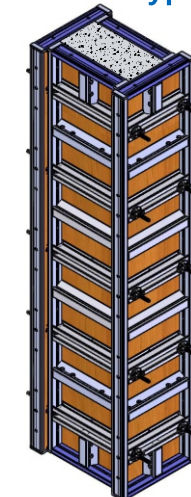
L-Corner



Column Assembly (Windmill Type)



Column Assembly (Wall End Type)



K100 WALL & COLUMN FORM PROJECTS



► Project in Malaysia



► Project in USA

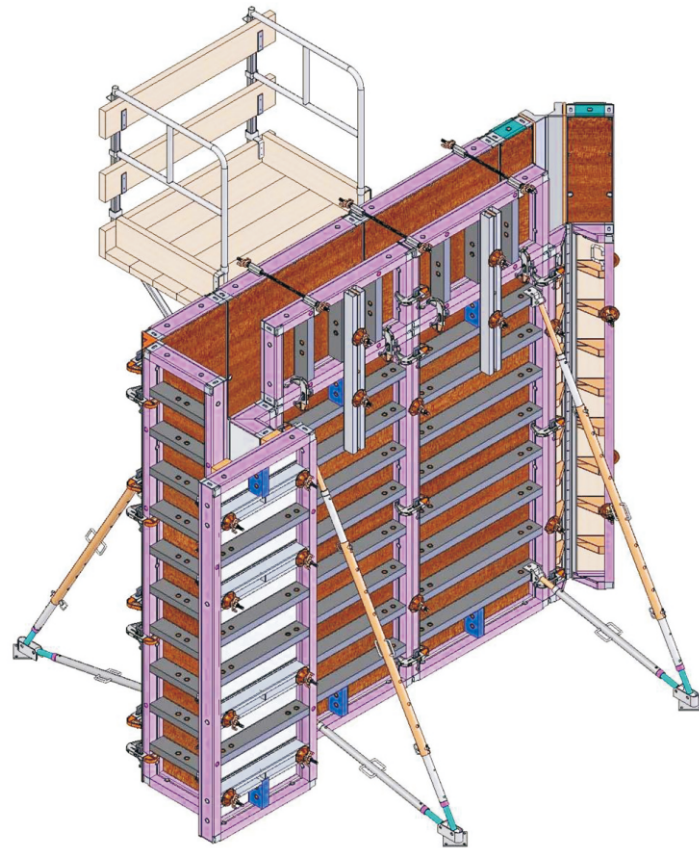


► Project in Myanmar

K100 WALL & COLUMN FORM PROJECTS

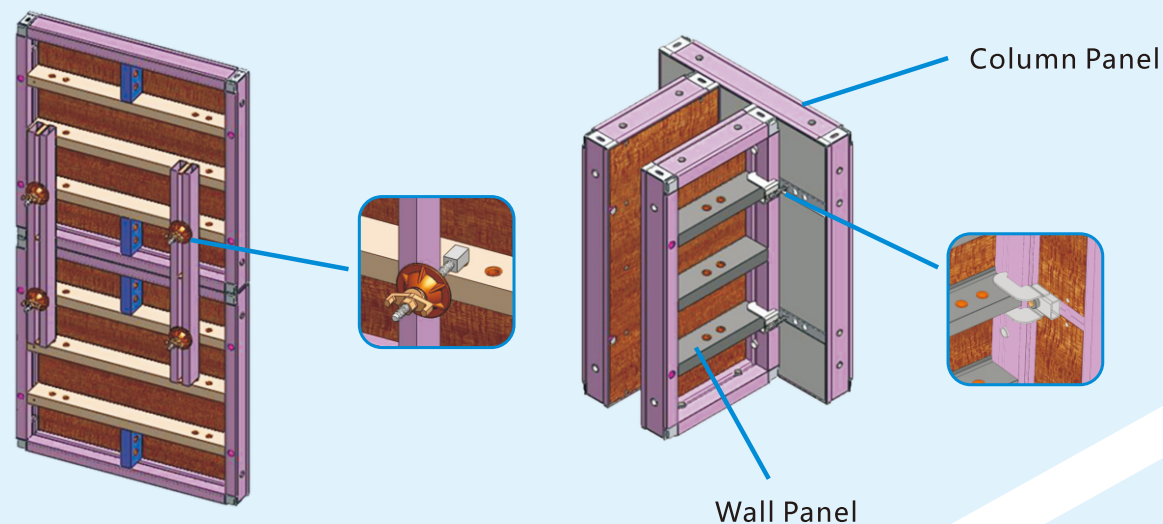


► Project in the Philippines



K140 WALL & COLUMN FORM

KITSEN K140 Wall & Column Formwork System is a robust, versatile large-panel vertical formwork system. Wide ranges of standard panel sizes are available, which can be assembled into a large combination panel to suit specific layouts and heights, to provide fast, adaptable and cost effective formwork solutions for municipal engineering, public building, industrial and civil building, etc.



FEATURES & ADVANTAGES

High Loading Capacity

- ✓ The scientific profile design enhances the good stiffness which provides high strength loading capacity with its allowable concrete pressure up to 75KN/m² for one time pouring.

Safe & Efficient

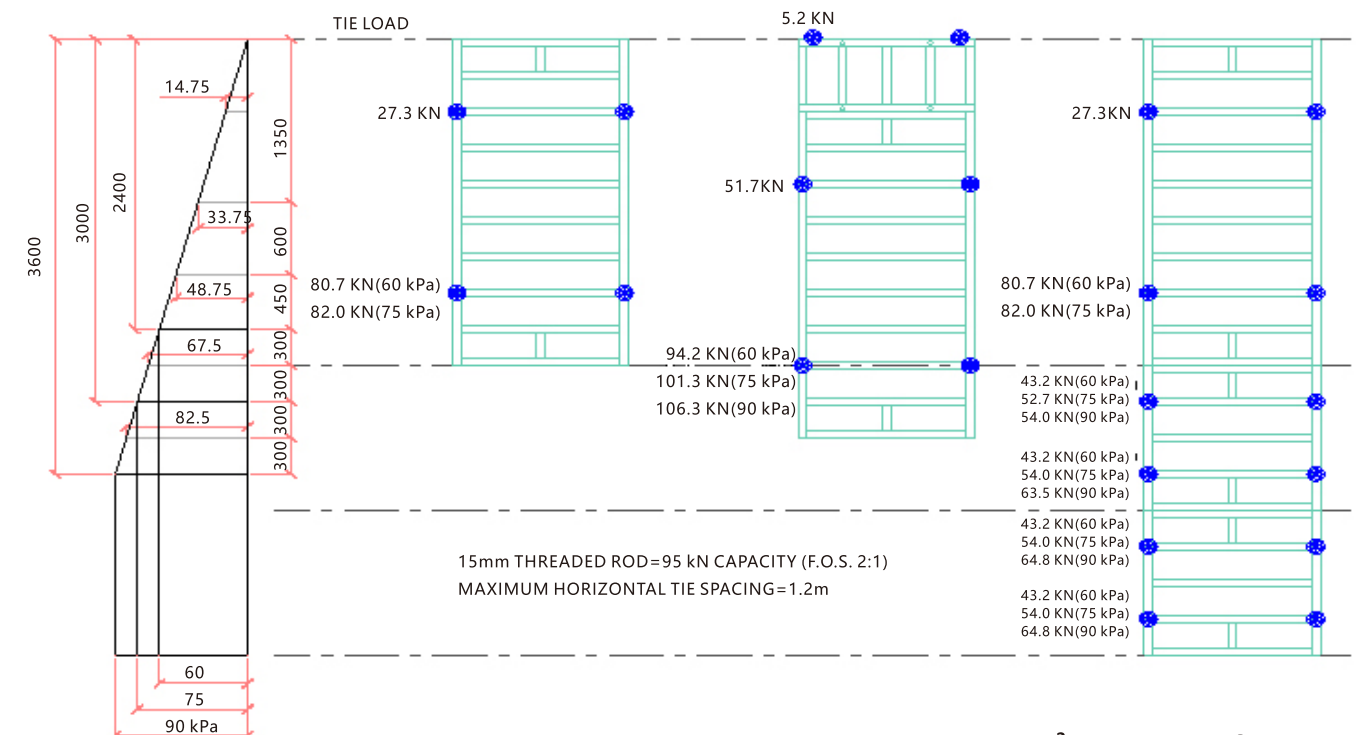
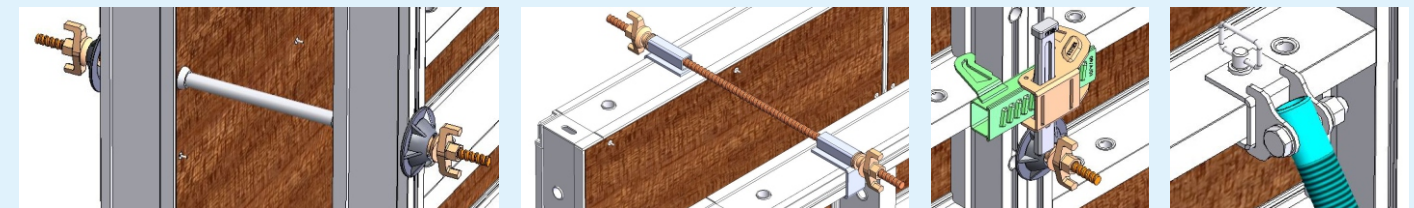
- ✓ Simple and large area design with less accessories makes it easy for installation and dismantling. The maximum size panel is 900x3300mm, it realizes high efficiency of 150-200m²/ day for installation and dismantling.

Long-term Benefit

- ✓ The panels are made of high yield strength aluminium profiles and durable birch or plastic plywood.
- ✓ Large modular panel design shortens the construction period and reduces material investment and labor cost.
- ✓ The birch plywood can be reused for 60 times with both sides and replaced with new panel sheet.
- ✓ The aluminium frame can be reused for 300 times which has 30% return rate.
- ✓ Smooth concrete surface after dismantling reduces cost for second time plastering.

Well-organized Material Management

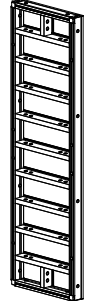
- ✓ Modular design panels and standardized components are well displayed and stored in warehouse or job site, to save space and make job site clean and tidy.

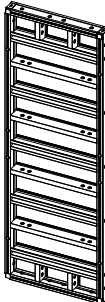



Design Concrete Pressure: 75 KN/m² (1500 psf)

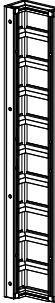
15mm Tie Capacity: 95 KN (21 kip)


K140 WALL & COLUMN FORM BASIC COMPONENTS

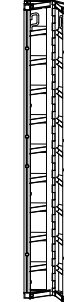
	[kg]
Aluminium Framed Wall Panel	
 900X900mm	32
1200X1200mm	50
2100X2100mm	81
2400X2700mm	200
2400X3000mm	220
2400X3300mm	241


	[kg]
Aluminium Framed Column Panel	
 450X1200mm	24.90
450X2700mm	53.00
750X3300mm	93.50
750X3000mm	92.40
750X2700mm	75.30
750X2100mm	58.90
750X1200mm	36.70
750X900mm	27.80
900X1200mm	43.30
900X2700mm	87.10
1050X3300mm	123.50
1050X3000mm	112.30
1050X2700mm	101.20
1050X2100mm	79.20
1050X1200mm	45.20
1050X900mm	34.10

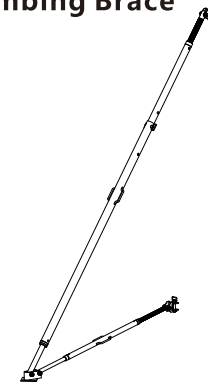
	[kg]
Inside Fix Corner	
 900X300X300mm	20.20
1200X300X300mm	25.80
2100X300X300mm	43.30
2700X300X300mm	56.20
3000X300X300mm	61.40
3300X300X300mm	68.50

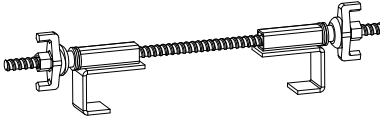
	[kg]
Inside Fix Corner	
 900X500X300mm	25.10
1200X500X300mm	31.60
2100X500X300mm	52.50
2700X500X300mm	67.00
3000X500X300mm	76.00
3300X500X300mm	80.90

	[kg]
Outside Fix Corner	
 900x140x140mm	5.80
1200x140x140mm	7.70
2100x140x140mm	13.30
2700x140x140mm	17.10
3000x140x140mm	19.00
3300x140x140mm	20.90

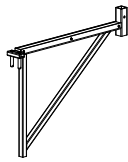
	[kg]
Internal Hinged Corner	
 900X300X300mm	21.80
1200X300X300mm	29.00
2100X300X300mm	48.20
2700X300X300mm	61.20
3000X300X300mm	67.00
3300X300X300mm	73.50

	[kg]
Outside Hinged Corner	
 900X100X100mm	8.60
1200X100X100mm	11.50
2100X100X100mm	20.00
2700X100X100mm	25.10
3000X100X100mm	28.20
3300X100X100mm	31.00

	[kg]
Plumbing Brace	
 1950-3350mm	39.10
1020-1700mm	

	[kg]
Panel Top Tie Bracket	0.80
	

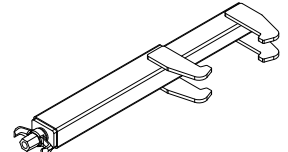
K140 WALL & COLUMN FORM BASIC COMPONENTS

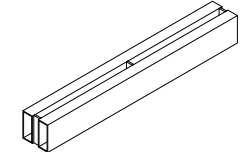
	[kg]
Rigid Support Bracket	14.00
	

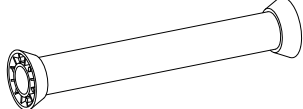
	[kg]
Guardrail Frame	7.40
	

	[kg]
Guardrail Post	6.20
	

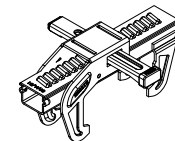
	[kg]
Threaded Tie Rod Unit	
L=800mm	2.51
L=1000mm	2.83
L=1200mm	3.21
L=1500mm	3.65
L=1800mm	4.13
L=2000mm	4.46

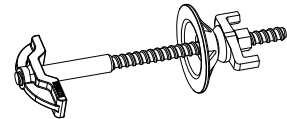
	[kg]
Adjustable Panel Clamp	8.3
	

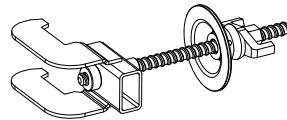
	[kg]
Panel Aligner	
800mm	8.90
1200mm	13.10
	

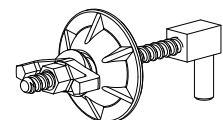
	[kg]
Plastic Sleeve & Plastic Cone	
L=100mm	0.03
L=150mm	0.03
L=200mm	0.04
L=250mm	0.05
L=300mm	0.05
L=350mm	0.06
L=400mm	0.07
L=450mm	0.07
L=500mm	0.08
L=550mm	0.09
L=600mm	0.09
	

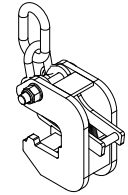
	[kg]
Panel Clamp	4.20
	

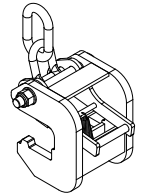
	[kg]
Filler Panel Clamp	5.00
	

	[kg]
Column Tie Rod Unit	2.3
	

	[kg]
Bulk Head Tie Rod Unit	2.6
	

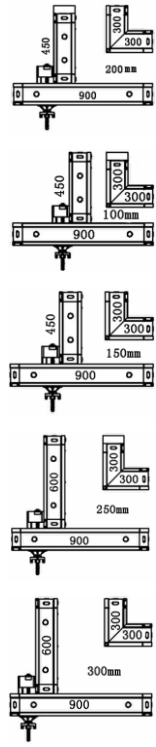
	[kg]
Aligner Tie Rod Unit	1.72
	

	[kg]
2 T Lifting Lug	11.20
	

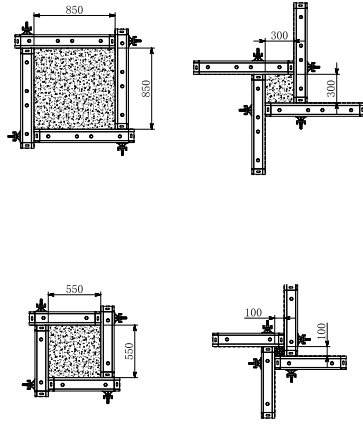
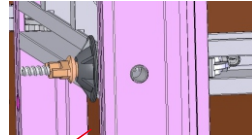
	[kg]
3 T Lifting Lug	13.08
	

K140 WALL & COLUMN FORM SECTION SOLUTION

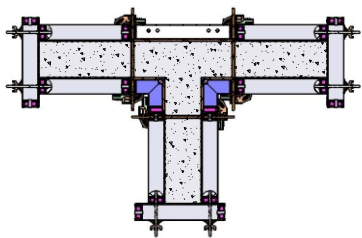
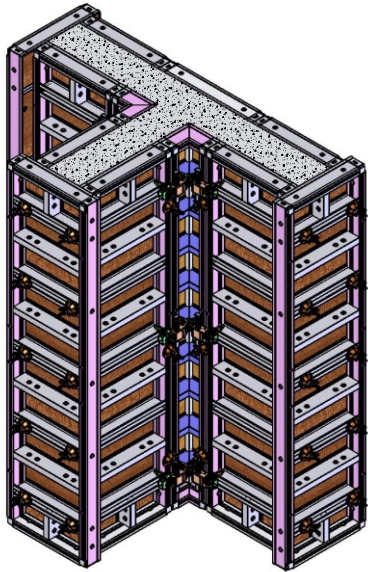
Right-angled Corner



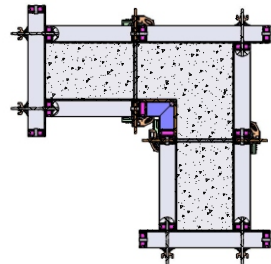
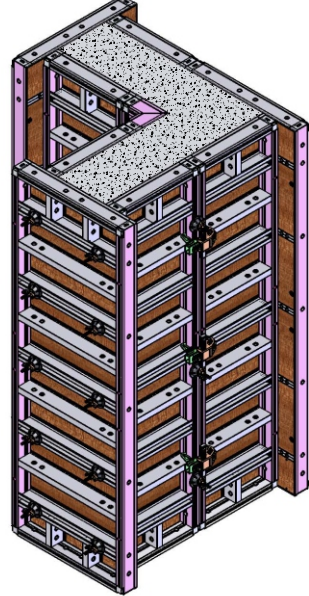
Details of Column



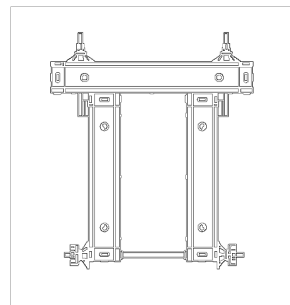
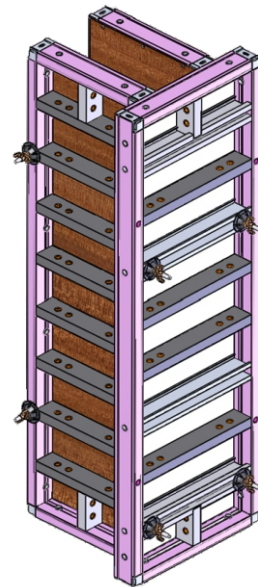
T-Corner



L-Corner



End Plate Solution



K140 WALL & COLUMN FORM PROJECTS

Project in Nigeria

High-rise building with 28 floors. Standard floor height is 2.85m.





K20 TIMBER SYSTEM

K20 timber system is an H wood beam wall formwork fixed with steel aligners. It is a kind of huge formwork which is suitable for super large shear wall, structural column, and large area slab with long span. Meanwhile, it is widely applied to bridge project, nuclear power shell project, tunnel project, pipe gallery project.



FEATURES & ADVANTAGES

High Efficiency

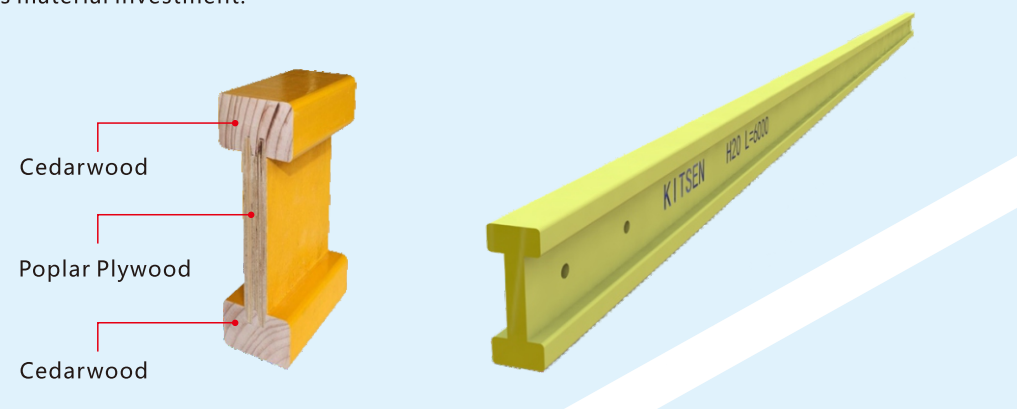
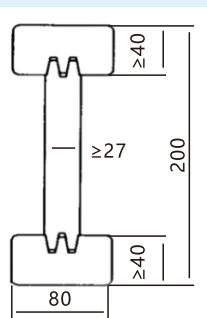
- ✓ Super huge panel design makes it easy for installation and dismantling.
- ✓ It is workable to use tower crane to transfer on site which improves construction speed.

Good Form Effect

- ✓ Large panel design covers large area which minimizes the gap size between panels.

Long-term Benefits

- ✓ Smooth and flat surface, no need to do second time plastering.
- ✓ Large panel design reduces material investment.



Resisting Shear Test



When the pressure reaches 5345kg, the pressure cannot rise, the middle and ends of timber beam burst and deform.

Pressure Value (kg)	Deformation Value (mm)
500	1.2
1000	2.1
1500	2.6
2000	3.4
2500	4.3
3000	5.2
3500	6.6
4000	8.6
4500	14.1
5000	21.5

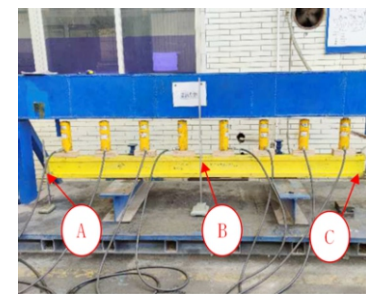
Bending Test



When the pressure reaches 4872kg, the pressure cannot rise, the middle of timber beam is deformed.

Pressure Value (kg)	Deformation Value (mm)
500	2.4
1000	4.0
1500	6.2
2000	7.9
2500	13.0
3000	17.5
3500	22.3
4000	28.6
4500	35.3

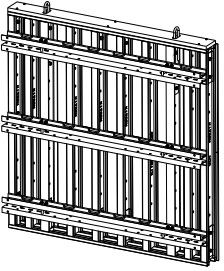
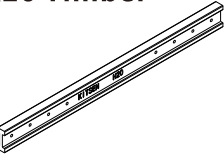
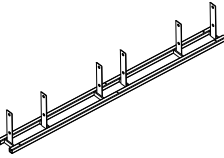
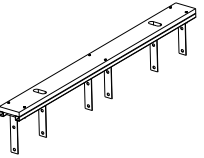
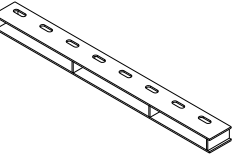

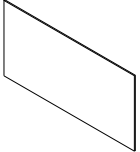
Compression Test





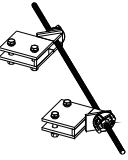
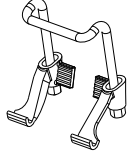
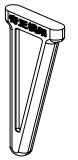
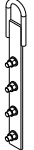


When the pressure reaches 6000kg, it is directly loaded to the maximum force of 12000kg, the pressure cannot rise, and the test is stopped.

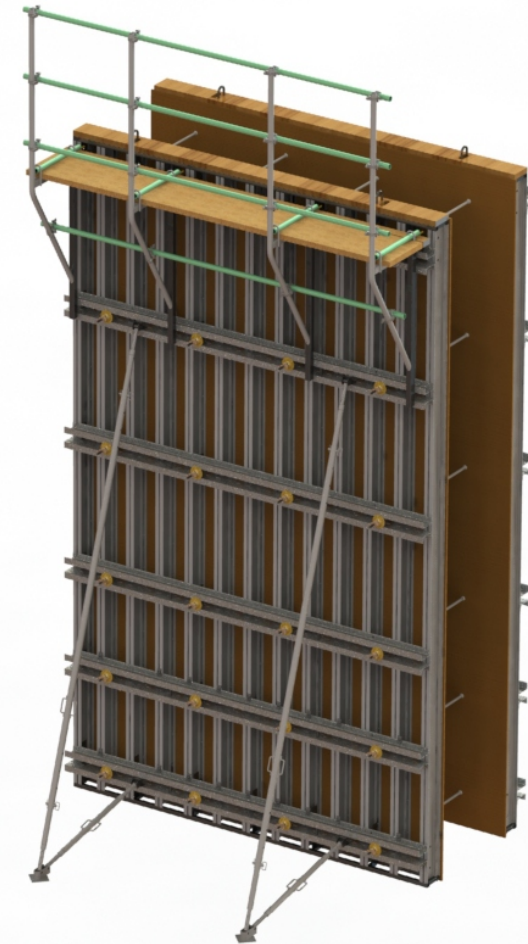
Pressure Value (kg)	A Deformation Value (mm)	B Deformation Value (mm)	C Deformation Value (mm)
500	0.4	0.3	0
1000	0.4	0.3	0
1500	0.4	0.5	0
2000	0.6	0.7	0.1
2500	1.1	0.9	0.1
3000	1.7	1.1	0.1
3500	1.9	1.2	0.1
4000	2.5	1.4	4.0
4500	3.1	1.6	4.6
5000	3.5	1.8	5.0
5500	4.0	1.9	5.7
6000	4.7	2.1	6.6

K20 TIMBER SYSTEM BASIC COMPONENTS

		[kg]
K20 Timber Formworks 	3000x1220mm	212.28
	3000x2440mm	424.56
	3000x3660mm	636.84
	4500x1220mm	318.42
	4500x2440mm	636.84
	4500x3660mm	955.26
	6000x1220mm	424.56
	6000x2440mm	849.12
	6000x3660mm	1273.68
K20 Timber 	2900mm	16.01
	4400mm	24.21
	5900mm	32.4
Bottom Connector 	3620mm	38.33
	2400mm	25.41
	1180mm	12.49
Top Connector 	3620mm	51.98
	2400mm	34.46
	1180mm	16.95
Connector Beam 	900mm	6.47
	1500mm	10.57
Plumbing Brace 		29.16
Birch Plywood Panel 	18mm	10.80

		[kg]
Inside Corner Connector 	6000mm	27.13
	4500mm	20.34
	3000mm	13.56
Rigid Support Bracket 		24.53
Tie Rod 	1500mm	8.28
	1000mm	6.62
	500mm	4.97
Straight Tie Rod Unit 		3.20
Outside Corner Connector 		13.36
U shape Connector 		0.94
Wedges 		0.79
Hanging Hook 		2.84

ALUMINIUM BEAMS SYSTEM

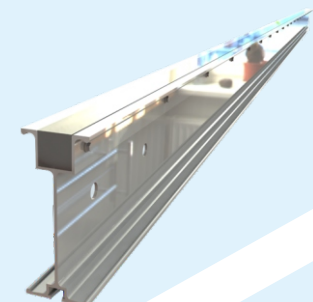
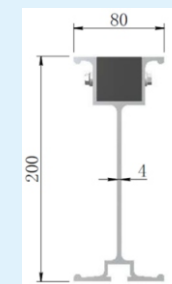
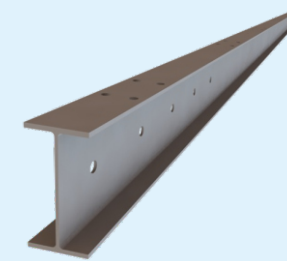
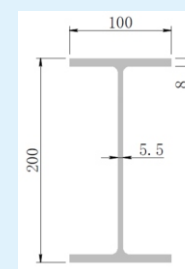


ALUMINIUM BEAMS SYSTEM

Aluminium Beam System is made of aluminium alloy 6061-T6 and 18mm thickness birch plywood. Huge modular design panels are specially designed for requirement of large area construction.


FEATURES & ADVANTAGES

- ✓ High stiffness, good concrete forming quality.
- ✓ Easy to assemble with less tools, as the system is designed in mechanized operations.
- ✓ High construction efficiency.
- ✓ Less quality problem in plastering.
- ✓ Good economic benefits with short construction time and great recyclable rate.




ALUMINIUM BEAMS SYSTEM

Resisting Shear Test

	Pressure Value (kg)	Deformation Value (mm)
	500	0.4
	1000	1.1
	2000	1.7
	3000	2.0
	4000	2.2
	5000	2.4
	6000	2.8
	7000	3.0
	8000	3.4
	9500	3.8

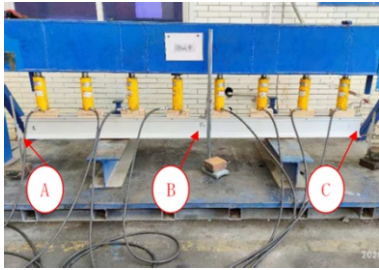
When the pressure reaches 9500kgs, the beam is deformed by 3.8mm. Stop the test and unloading pressure, the aluminium beam has no obvious deformation.

Bending Test

	Pressure Value (kg)	Deformation Value (mm)
	500	2.1
	1000	3.1
	2000	4.8
	2500	6.6
	3000	8.7
	4000	12.4
	4500	14.2
	6500	20.9

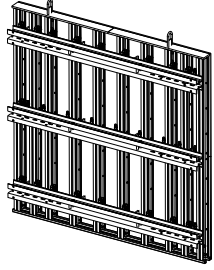
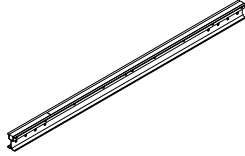
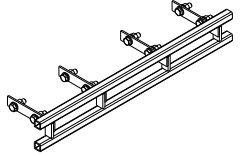
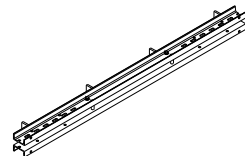
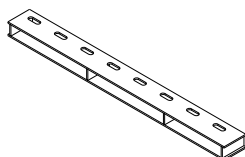

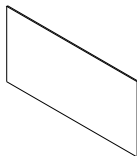

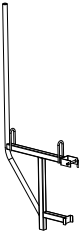


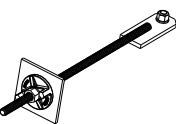
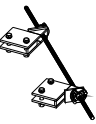


When the pressure reaches 6500kgs and deformation value is 20.9mm, stop the test. The middle part of aluminium beam is deformed.

Compression Test

	Pressure Value (kg)	A Deformation Value (mm)	B Deformation Value (mm)	C Deformation Value (mm)
	3000	2.0	0.8	2.0
	6000	4.3	1.0	4.4
	9000	6.3	1.0	6.5
	12000	8.3	0.9	8.6
	15000	10.5	0.8	10.7
	After Pressure Relief	0.4	0.4	1.0

When the pressure reaches 15000kgs, stop the test, the aluminium beam does not break, the maximum deformation value at C is 10.7mm.

ALUMINIUM BEAMS SYSTEM BASIC COMPONENTS

		[kg]		[kg]
	Aluminium Beam Formwork Panel			
	3000x1220mm	172.02		
	3000x2440mm	344.04		
	3000x3660mm	516.06		
	4500x1220mm	258.03		
	4500x2440mm	516.06		
	4500x3660mm	774.09		
	6000x1220mm	344.04		
	6000x2440mm	688.08		
6000x3660mm	1032.12			
	Aluminium Beam			
	5900mm	32.19		
	4400mm	24.01		
2900mm	15.82			
	Bottom Beam Connector	4880mm	37.27	
	C Channel Steel Aligner			
	3620mm	43.20		
	2400mm	28.64		
1180mm	14.08			
	Connector Beam			
	900mm	6.47		
1500mm	10.57			
	Plumbing Brace			
			29.16	
	Birch Plywood	18mm	10.80	
	Inside Corner Connector			
	6000mm	27.13		
	4500mm	20.34		
3000mm	13.56			
	Rigid Support Bracket			
			24.53	
	Tie Rod			
	1500mm	8.28		
	1000mm	6.62		
500mm	4.97			
	Aluminium Beam Clip			
	Straight Tie Rod Unit			
			3.20	
	Outside Corner Connector			
			13.36	
	Wedges			
			0.79	
	Hanging Hook			
			2.84	

RETAINING WALL FORM



RETAINING WALL FORM

The light weight aluminium frame and plywood formwork with working platform can be used for the construction of single-sided wall.

Panels are easily connected to form large expanses of shuttering, while the aligners and brackets allow for precise vertical and horizontal alignment.

FEATURES & ADVANTAGES

High Loading Capacity

- ✓ The single-sided retaining wall resistance to concrete pressure can be 60KN/m².
- ✓ Triangle support bracket and reinforcement accessories make the structure more stable and stronger.

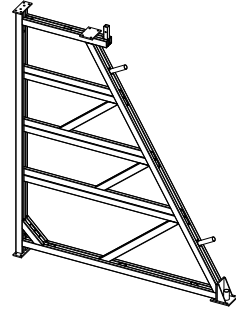
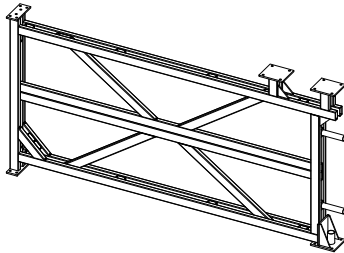
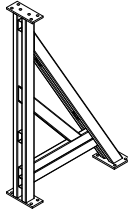
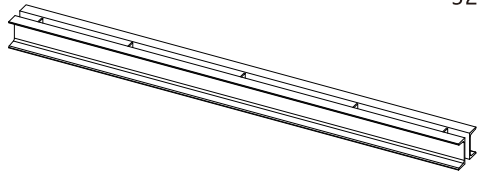
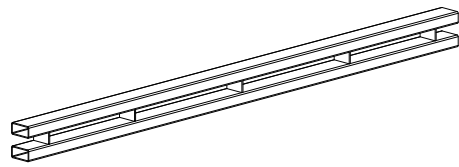
High Efficiency


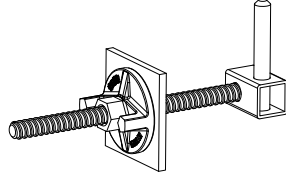
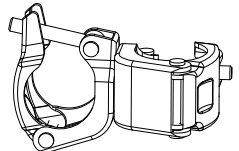
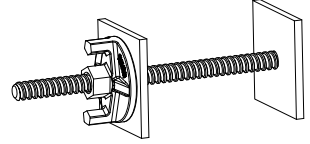
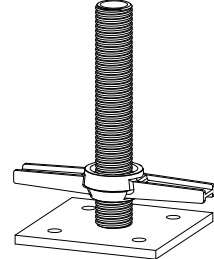
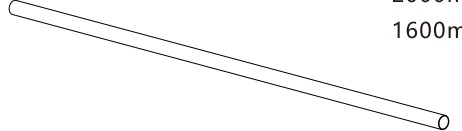
- ✓ Large modular design provides quick installation and dismantling.

Long-term Benefit

- ✓ Less material investment
- ✓ Less labor cost
- ✓ Shorten construction period
- ✓ Good concrete forming quality, no need second time plastering.

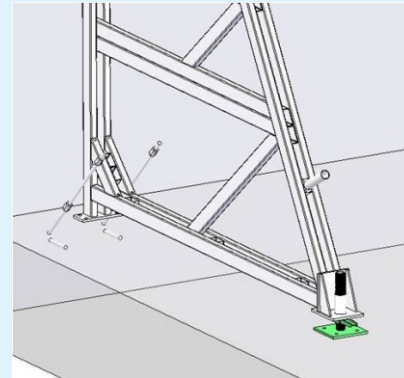
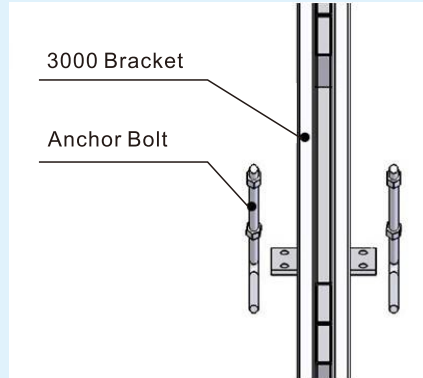
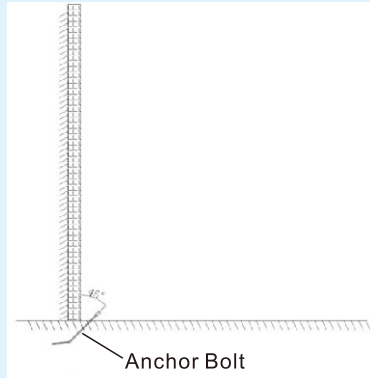
RETAINING WALL FORM BASIC COMPONENTS

		[kg]
Bracket	3000mm	187.7
		
Bottom Support Frame	1500mm	174.24
		
Top Bracket	1500mm	51.94
		
Cross Beam	1600mm 2000mm 3200mm	39.31 49.14 78.46
		
Horizontal Aligner	1600mm 2000mm 3200mm	17.19 21.49 34.27
		

		[kg]
Guardrail Post		4.5
		
Horizontal Aligner Tie Rod Unit		1.96
		
Universal Coupler	Φ42-48	0.625
		
Vertical Aligner Tie Rod Unit		2.23
		
Adjustable Base Plate		6.57
		
Steel Tube	3200mm 2800mm 2000mm 1600mm	7.27 6.36 4.54 3.63
		

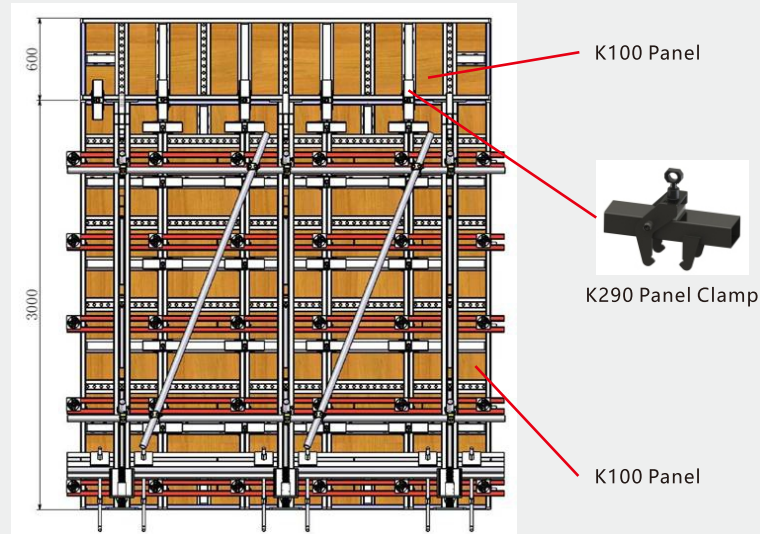
Embed anchor bolts

Determine the position of bracket, then embed anchor bolts at both sides of the bracket, make sure the angle of the bolt is 45°.

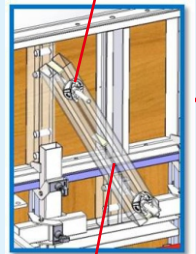
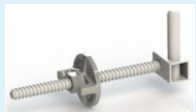


Install K board horizontally

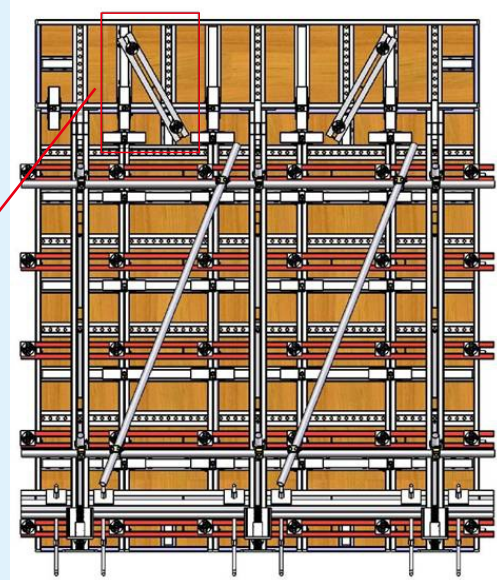
Lift K board in place horizontally for joining height;
Connect the horizontal panels and vertical panels with K290 panel clamps.



Panel Aligner Tie Rod Unit



800 Panel Aligner



Install panel aligners

Install panel aligner tie rod units and insert the pin into the reinforcing casing;
Insert tie rod into K board and rotate the gland nut to lock the aligner.

► Project in the Philippines



